

PROJECT	QUANTITY	ITEM NO
---------	----------	---------

# Rotisserie mobile stand

MODEL **SCT-800**



### General Information

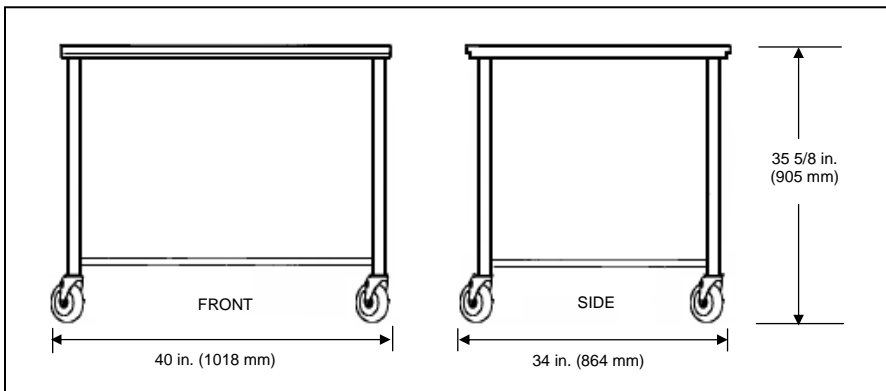
This sturdy work table is designed specifically as a base for mounting the Henny Penny SCR-6 or SCR-8 countertop Rotisseries when built-in countertops are not available.

Henny Penny mobile rotisserie stands provide foodservice operators a safe, sanitary surface to place rotisseries while making it easy to relocate them at any time.

### Standard Features

- Sturdy, welded stainless steel frame construction.
- Four heavy-duty casters; two locking.
- Convenient lower storage shelf.

Rotisserie work table/mobile stand, model SCT-800.



### Dimensions

Height: 35 5/8 in. (905 mm)  
 Width: 40 in. (1018 mm)  
 Depth: 34 in. (864 mm)

**Floor space:** 10 sq. ft. (1m<sup>3</sup>)

**Crated dimensions:** Contact Henny Penny

**Net weight:** N/A

**Crated weight:** Contact Henny Penny

### Bidding Specifications

- Provide Henny Penny rotisserie work table model SCT-800 and mobile stand for SCR-6 or SCR-8 countertop rotisserie.
- Unit shall be constructed of welded stainless steel and shall consist of a top surface and lower storage surface.
- Unit shall include (4) 5-inch heavy duty casters, two locking.

### Laboratory certifications



Continuing product improvement may subject specifications to change without notice.

<input type="checkbox"/> APPROVED	<input type="checkbox"/> APPROVED AS NOTED	<input type="checkbox"/> RESUBMIT
AUTHORIZED SIGNATURE		DATE



Henny Penny Corporation  
 PO Box 60 Eaton OH 45320 USA  
 +1 937 456.8400 800 417.8417  
 +1 937 456.8434 Fax 800 417.8434 Fax  
[www.hennypenny.com](http://www.hennypenny.com)