



Heated Holding Cabinet

Parts
Manual

HCH 93X



Table of Contents

Frame and Insulation Assembly 4

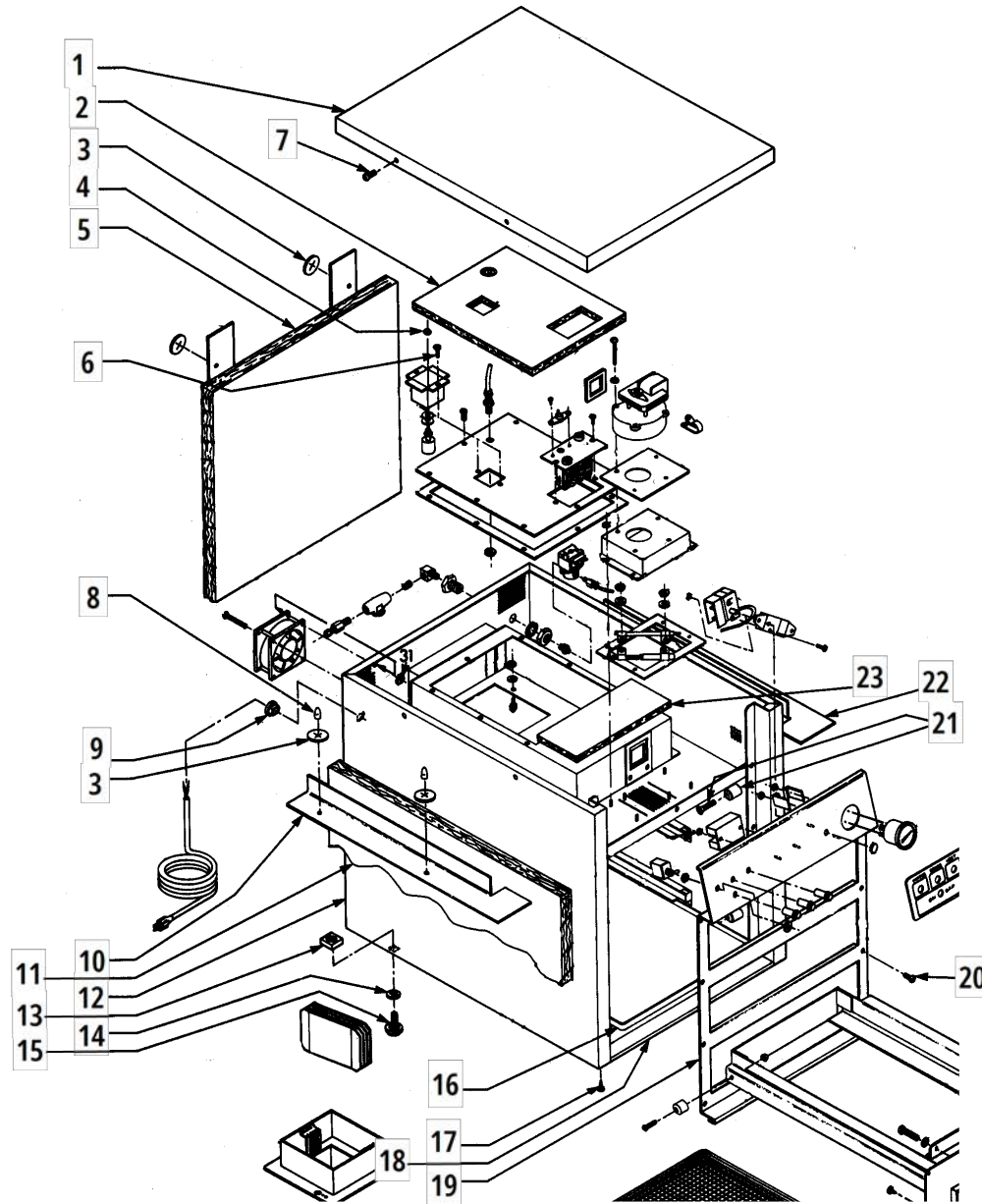
Electrical Assembly 7

Heat Assembly 9

Water Assembly 12

Drawer Assembly 14

Frame and Insulation Assembly

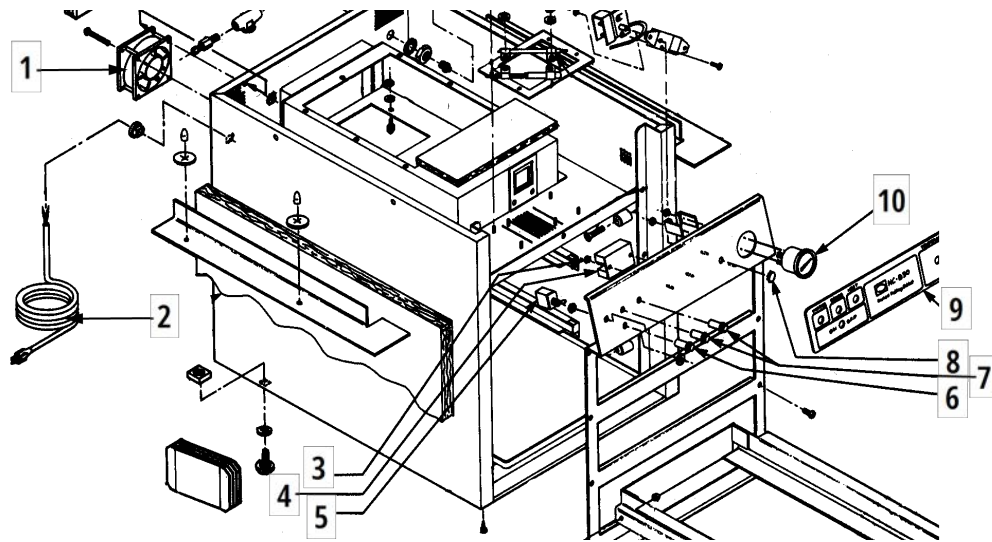


Item No.	Part No.	Description	Qty.	Stocking Level
1	25498	Cabinet top	1	
2	25567	Access cover insulation	1	

Item No.	Part No.	Description	Qty.	Stocking Level
3	WA02- 001	Insulation washer , diameter 1 1/2 in	8	
4	NS01-010	Hex nut, 1/8 in, straight pipe	1	
5	25565	Insulation, back	1	
6	25843	Access cover assembly	1	
7	SC01-053	Screw, #8-32 x 1/2 in, CT Crosstip screwdriver required, round head	A/R	
8	MS01-133	Stud cover	4	
9	EF02-017	Strain relief	1	
10	25555	Retainer - Insulation	1	
11	25566	Insulation - Wrap/Around	1	
12	53960	Cabinet enclosure, 930 (SN:EA0505003 & below)	1	
12	69927	Cabinet enclosure, 930 (SN:EA0505004 & above)	1	
12	69953	Cabinet enclosure, 930, CE	1	
12	53978	Cabinet enclosure, 932 (SN:EA0505003 & below)	1	
12	69952	Cabinet enclosure, 932 (SN:EA0505004 & above)	1	
12	69951	Cabinet enclosure, 932, CE	1	
13	NS03-013	Cage nut, 3/8 in, 16	4	
14	15022	Spacer, foot leveler	4	
15	26411	Foot	4	
16	25487	Drip tray	1	

Item No.	Part No.	Description	Qty.	Stocking Level
17	SC02-016	Screw, #8-AB x 1/2 in, CT Crosstip screwdriver required, pan head	A/R	
18	25494	Cabinet base	1	
19	25495	Faceplate assembly	1	
19	64090	Faceplate assembly, CE, 930	1	
19	64097	Faceplate assembly, CE, 932	1	
19	31981	Faceplate stud assembly, Chick-fil-A	1	
20	SC01-094	Screw, #19-24 x 1-1/2 (for 25412)	A/R	
20	SC01-074	Screw, #10-32 x 1-1/2 (for 31396)	A/R	
21	14095	Liner bearing and hardware	6	A
22	25556	Insulation retainer, right	1	
23	25569	Insulation, 9 in x 3.75 in	1	
24*	25790	Face plate gasket	1	
25*	22232	Legs	4	
26*	31379	Drip tray (05324 only)	1	
27*	31529	Baffle	4	
Recommended Parts: A = Truck Stock; B = Dist. Stock * = Not Shown A/R = As Required				

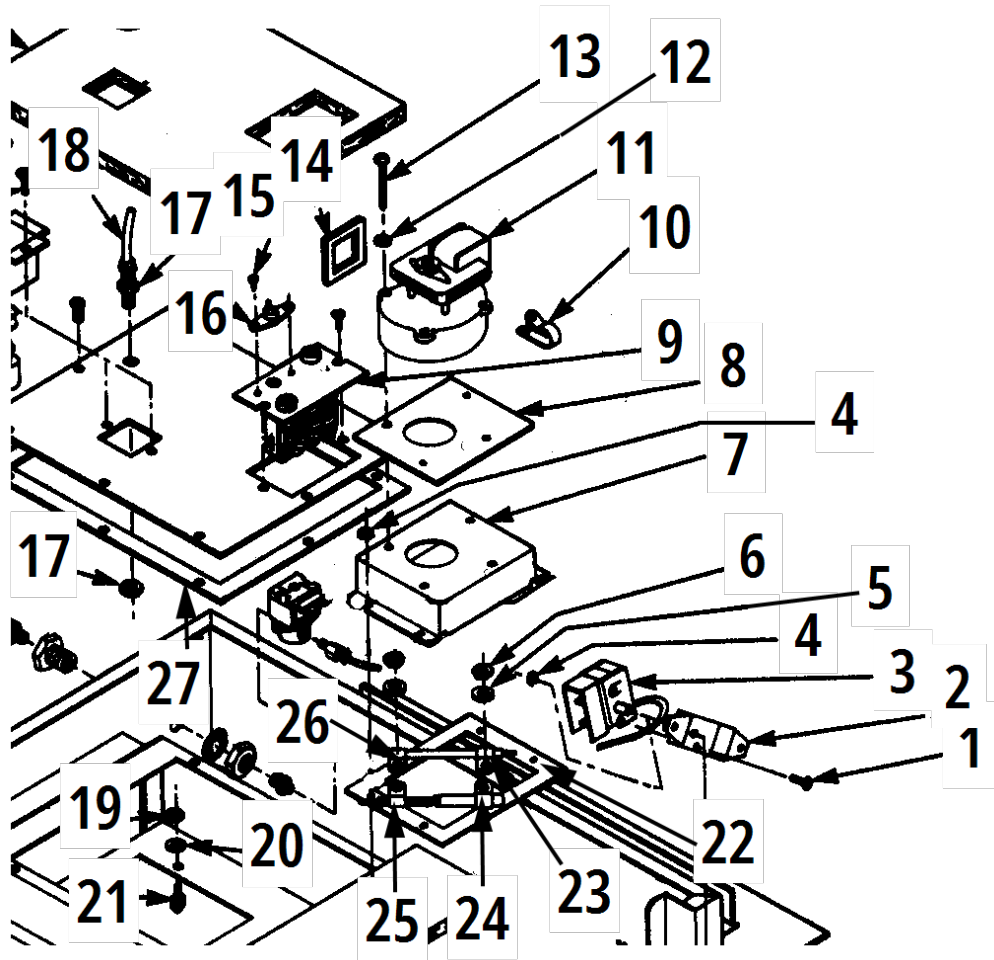
Electrical Assembly



Item No.	Part No.	Description	Qty.	Stocking Level
1	16684	Fan, 120 VAC	1	A
1	16688	Fan, 240 VAC	1	A
2	25203	Power cord assembly	1	
2	44215	Power cord assembly, 240 VAC	1	
2	42137	Power cord assembly, CE	1	
3	NS02-005	Hex keys nut, #6-32	A/R	
4	74266	Timing module	1	A
5	22195	Toggle switch	1	A
6	16624	Signal light	1	A
6	54085	Signal light, CE	1	A
7	54085	Signal light, CE	2	A
7	16624	Signal light	2	A
8	PL01-001	Plug button, 1/2 in	1	

Item No.	Part No.	Description	Qty.	Stocking Level
9	25862	Control panel decal	1	
9	70674	Control panel decal, 6CDT	1	
9	71729	Control panel decal, 4CDT	1	
9	41821	Control board assembly, 120 VAC, CDT	1	
10	25183	Thermometer	1	A
Recommended Parts: A = Truck Stock; B = Dist. Stock * = Not Shown A/R = As Required				

Heat Assembly

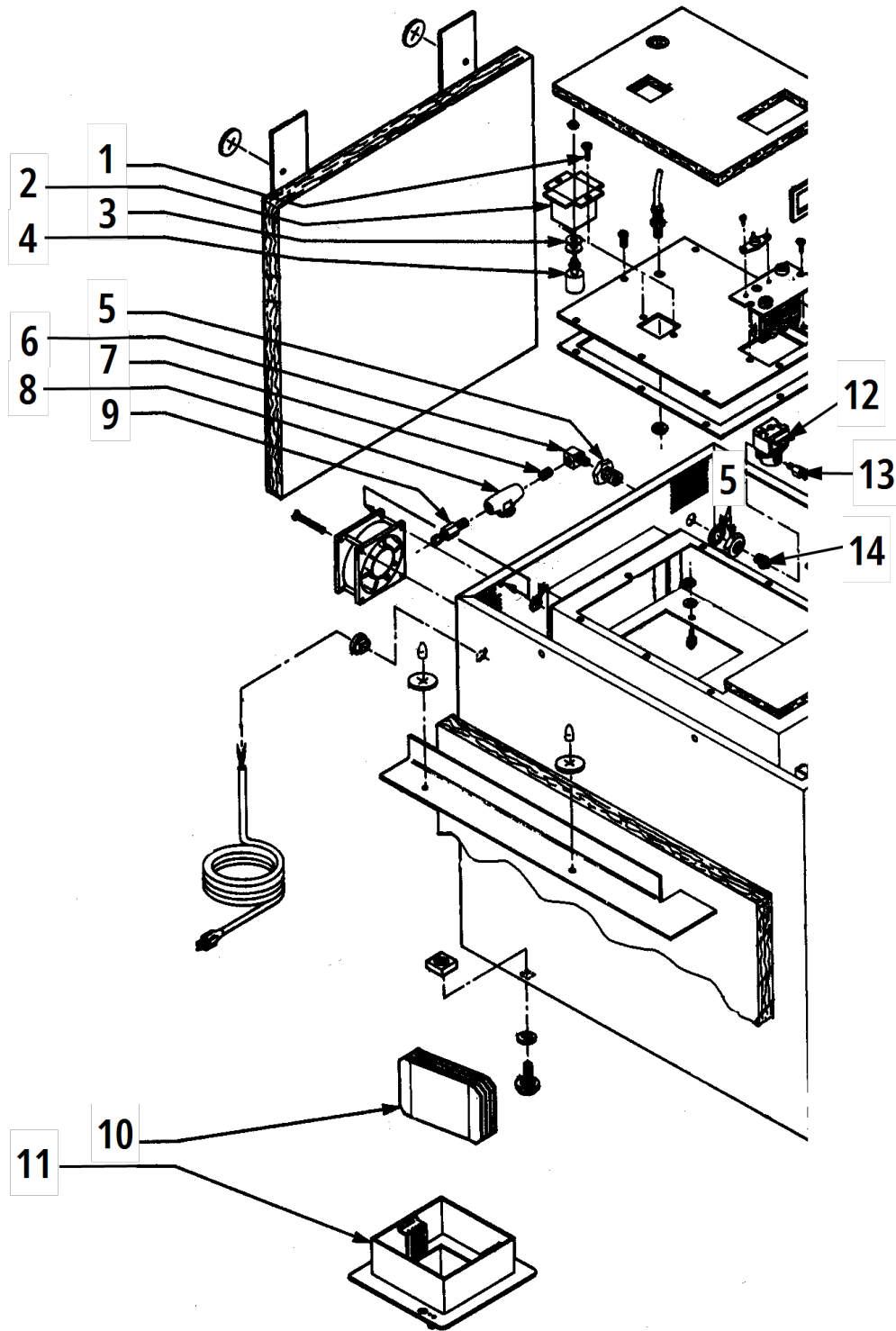


Item No.	Part No.	Description	Qty.	Stocking Level
1	SC01-023	Screw, #6-32 x 1/4 in, CT Crosstip screwdriver required, round head	2	
2	25903	Thermostat mounting bracket	1	
3	14209	Thermostat kit	1	A
4	NS02-006	Hex keps nut, #10-24	A/R	
5	LW02-005	Lockwasher, #10, internal	A/R	

Item No.	Part No.	Description	Qty.	Stocking Level
6	NS01-007	Hex nut, #10-24	2	
7	25598	Fan box assembly	1	
8	25141	Blower box top gasket	1	
9	44529	Heater, 120 VAC	1	A
9	27943	Heater, 240 VAC	1	A
9	27661	Enclosed heater, 120 VAC	1	A
10	EF02-037	Clamp, diameter 1 in x 1/2 in	1	
11	25221	Blower, 120 VAC	1	A
11	25407	Blower, 240 VAC, 50 HZ	1	A
12	LW02-006	Lockwasher, #8, internal	4	
13	SC01-033	Screw, #8-32 x 2 in, CT Crosstip screwdriver required, round head	4	
14	25126	Blower gasket	1	
15	SC02-014	Screw, #8-AB x 3/8 in, CT Crosstip screwdriver required, truss head	2	
16	18201	High limit	1	A
17	FP05-002	Union bulkhead, 1/4 in	1	
18	25595	Tubing, 1/4 in	1	
19	NS01-018	Hex nut, 1/4 in, 28	2	
20	LW01-002	Lockwasher, split ring, 1/4 in	2	
21	25593	Threaded stud	2	
22	25127	Blower box gasket, bottom	1	
23	EF02-031	Clamp, diameter 1/4 in x 3/8 in	1	

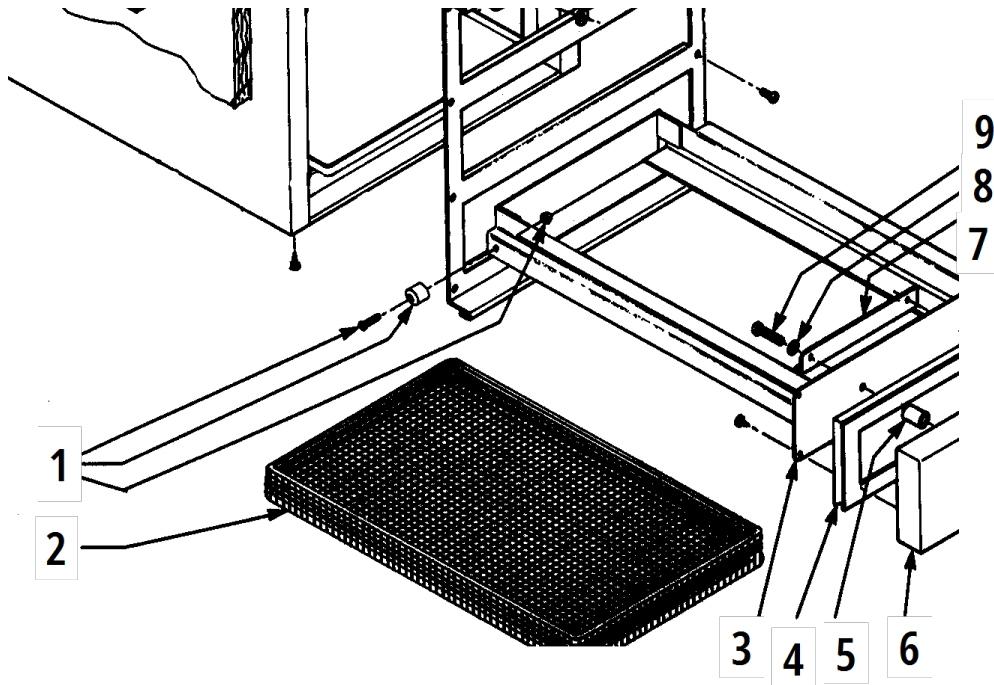
Item No.	Part No.	Description	Qty.	Stocking Level
24	EF02-033	Clamp, diameter 7/16 in x 3/8 in	1	
25	EF02-032	Clamp, 5/16 in, 10 x 3/8 in	1	
26	EF02-030	Clamp, diameter 1/8 in x 3/8 in	1	
27	25445	Heater box gasket	1	
28*	29523	RTD probe assembly, CDT	1	
Recommended Parts: A = Truck Stock; B = Dist. Stock * = Not Shown A/R = As Required				

Water Assembly



Item No.	Part No.	Description	Qty.	Stocking Level
1	SC01-053	Screw, #8-32 x 1/2 in, CT Crosstip screwdriver required, round head	A/R	
2	25497	Float switch well	1	
3	25299	Float switch spacer	2	
4	28856	Float switch	1	A
5	FP01-013	Bulkhead adaptor	1	
6	FP05-007	Elbow, 1/4 in NPT National Pipe Tapered x 1/4 in NPT National Pipe Tapered	1	
7	FP02-009	Close nipple, 1/4 in NPT National Pipe Tapered x 7/8 in	1	
8	25208	Water strainer	1	A
9	FP05-006	Fitting, 1/4 in tube to 1/4 in NPT National Pipe Tapered	1	
10	25246	Water pan baffle	4	
11	25526	Water pan assembly	1	
11	32404	Water pan assembly, Chick-fil-A	1	
12	FP05-003	Fitting, 1/4 in tube to 1/8 in pipe	1	
13	25147	Solenoid valve, 120 VAC	1	A
13	25409	Solenoid valve, 240 VAC		A
14	FP01-012	Reducing nipple	1	
15*	32401	Water pan retaining latch, Chick-fil-A	1	
Recommended Parts: A = Truck Stock; B = Dist. Stock * = Not Shown A/R = As Required				

Drawer Assembly



Item No.	Part No.	Description	Qty.	Stocking Level
1	14094	Drawer bearing and hardware	1	A
1	31965	Drawer bearing, Chick-fil-A	6	
2	27193	Basket, wire, small	3	
2	05015	Pan, 12 x 20 x 2.5 (alternate)	3	
2	05021	Rack, wire grid, 10 x 18 (use w/05015)	3	
2	31431	Tray baffle, for 05015 pan	3	
2	05033	1/2 Pan, SS Stainless steel, 12 x 10.5 x 2.5 (alternate)	3	
2	05046	1/2 wire grid (use w/05033)	3	
3	25821	Drawer weld assembly	3	
4	25778	Drawer gasket	3	A

Item No.	Part No.	Description	Qty.	Stocking Level
5	25773	Drawer handle spacer (use only w/ 25412)	6	
6	25772	Drawer front assembly	3	
7	25546	Basket support	3	
8	LW02-005	Lockwasher, #10, internal	A/R	
9	SC01-094	Screw ,#19-24 x 1-1/2-for 25412	A/R	
9	SC01-074	Screw, #10-32 x 1-1/2-for 31396	A/R	
10*	25412	Drawer handle	3	
11*	SC02-016	Screw, #8-AB x 1/2 in, pan head	A/R	
12*	31970	Drawer frame assembly, Chick-fil-A	1	
13*	31971	Drawer assembly, Chick-fil-A	1	
14*	31972	Nylatch grommet, Chick-fil-A	6	
15*	31973	Nylatch plunger, Chick-fil-A	6	
16*	31985	Drawer rail assembly, left, Chick-fil-A	3	
17*	31986	Drawer rail assembly, right, Chick-fil-A	3	
Recommended Parts: A = Truck Stock; B = Dist. Stock * = Not Shown A/R = As Required				

www.hennypenny.com

FM08-741 A 30 November, 2020



Copyright belongs to Henny Penny Corporation 2020. All rights reserved.

Henny Penny Corporation
1219 U.S. 35, Eaton, OH 45320
1-937-456-8400
1-800-417-8417