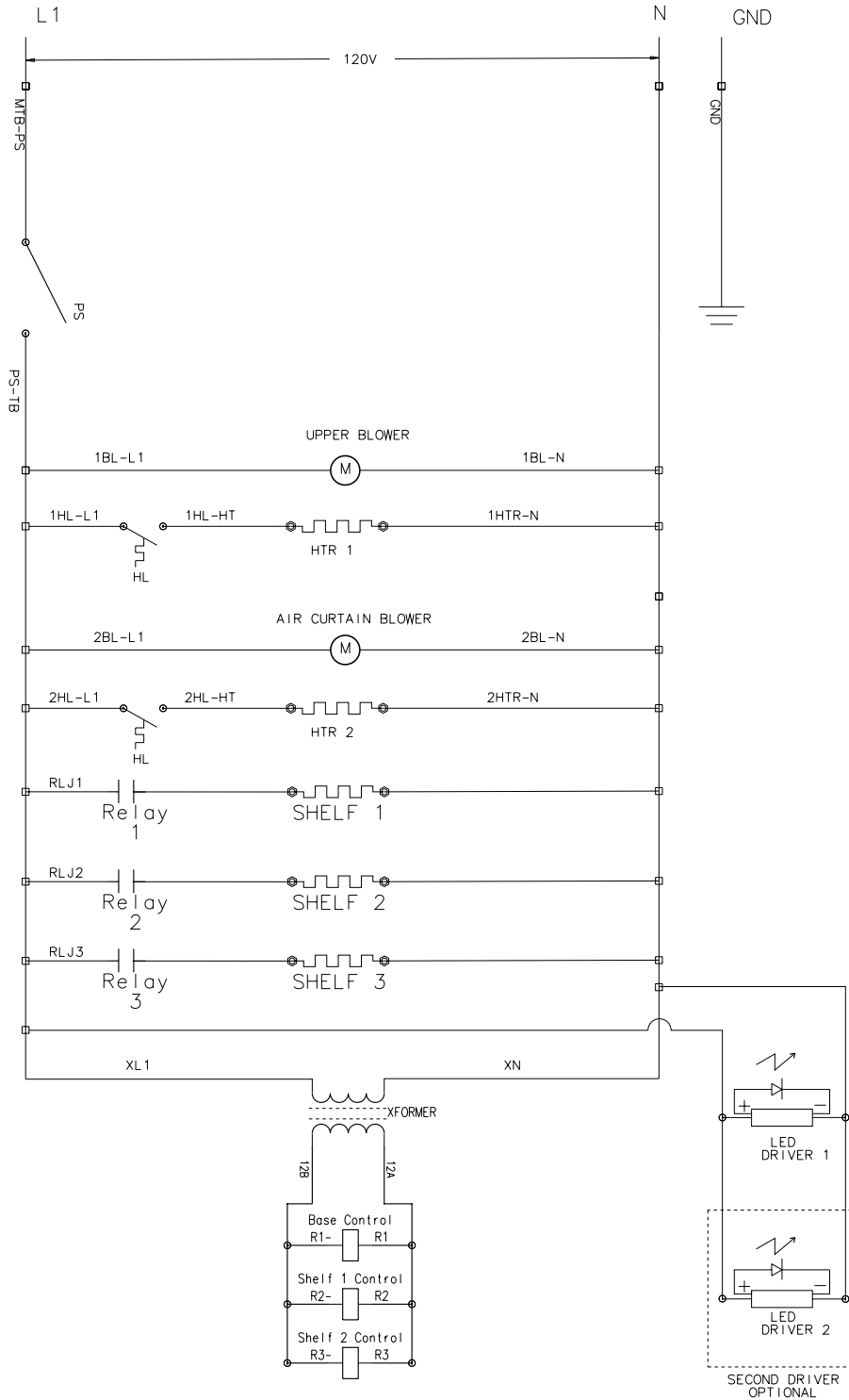




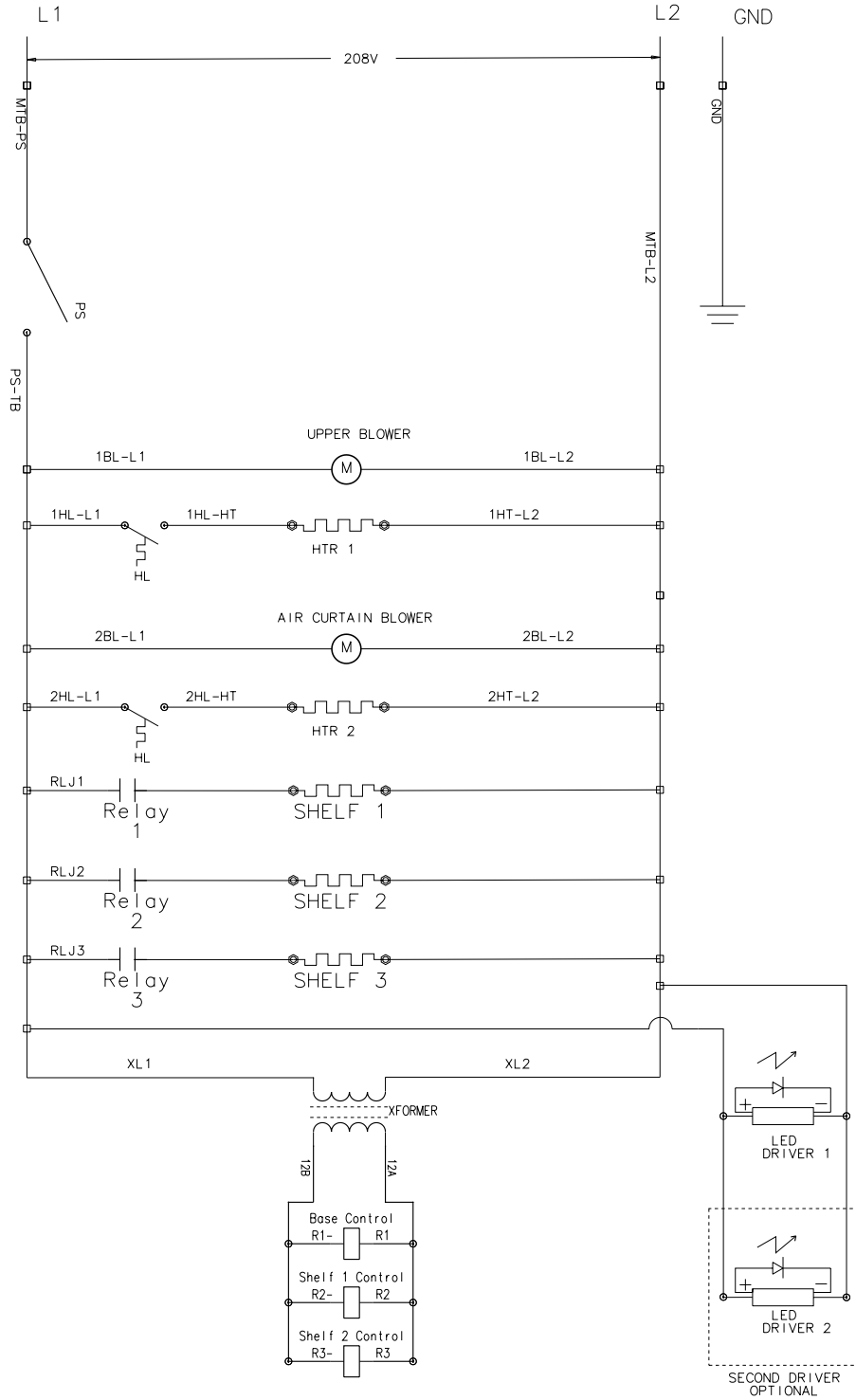
EPC2
120V/1PH/60HZ
3 DECK



77094
REV. B



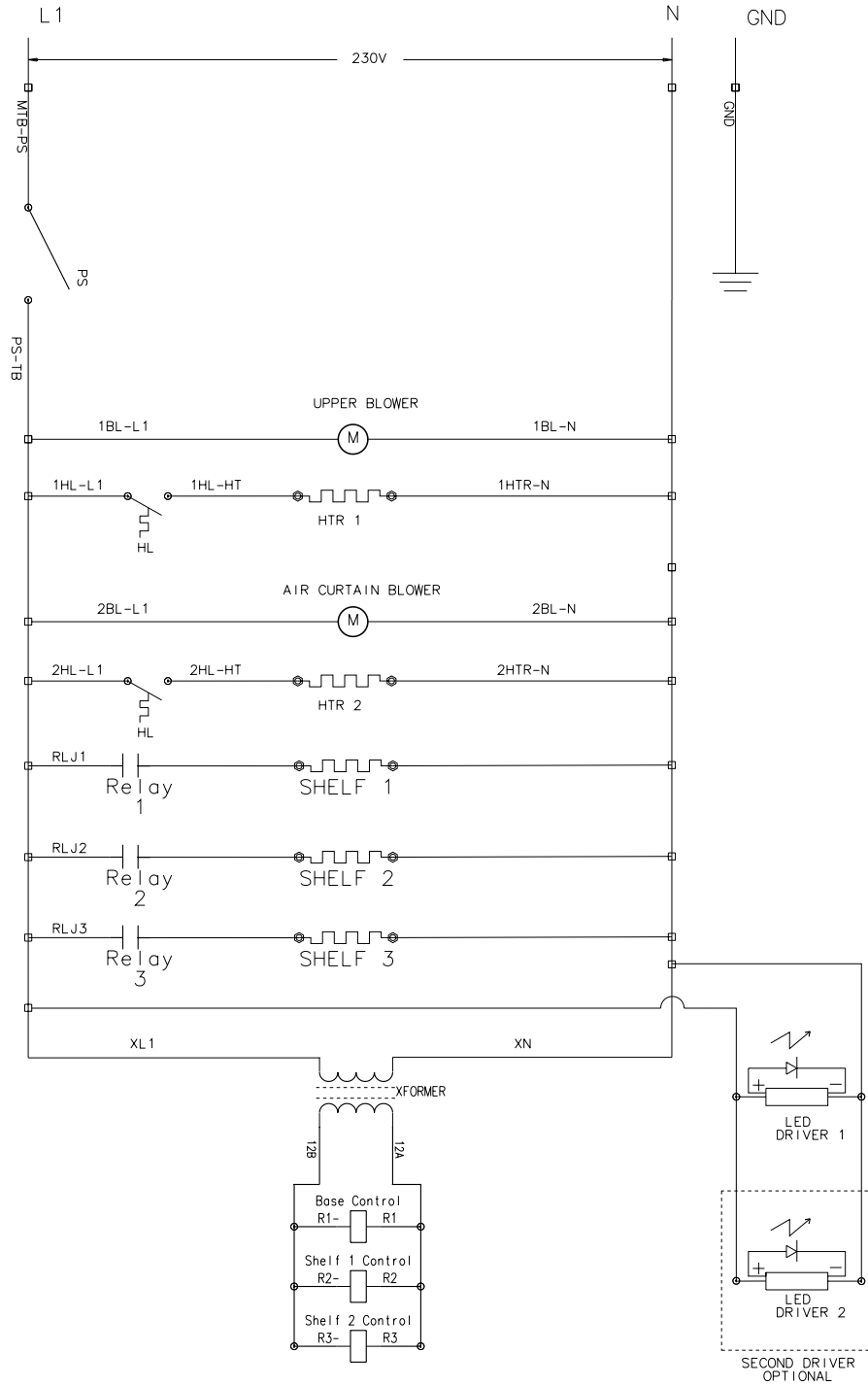
EPC2
208V/1PH/60HZ
3 DECK



80238
REV. B



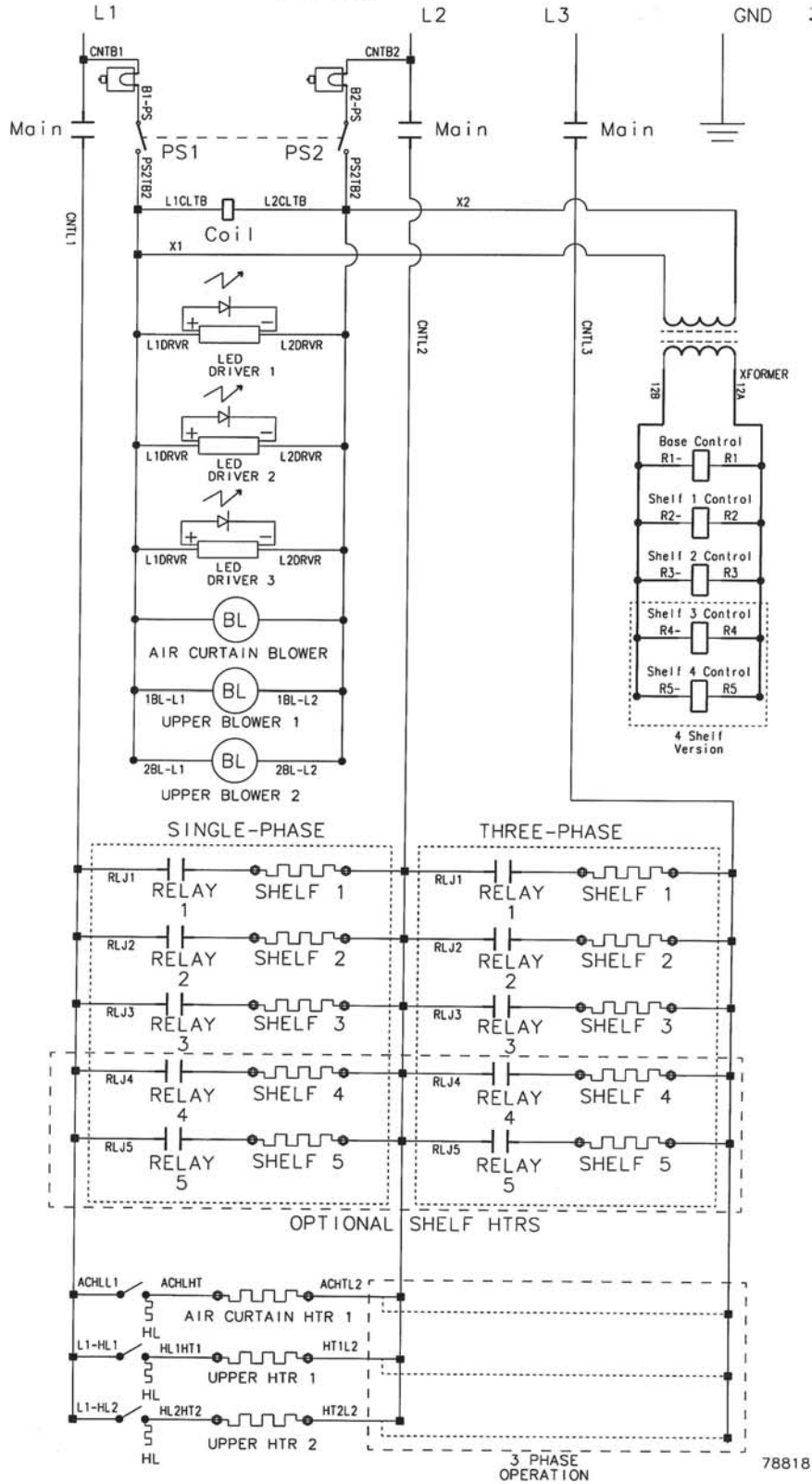
EPC2
230V/1PH/50HZ
3 DECK



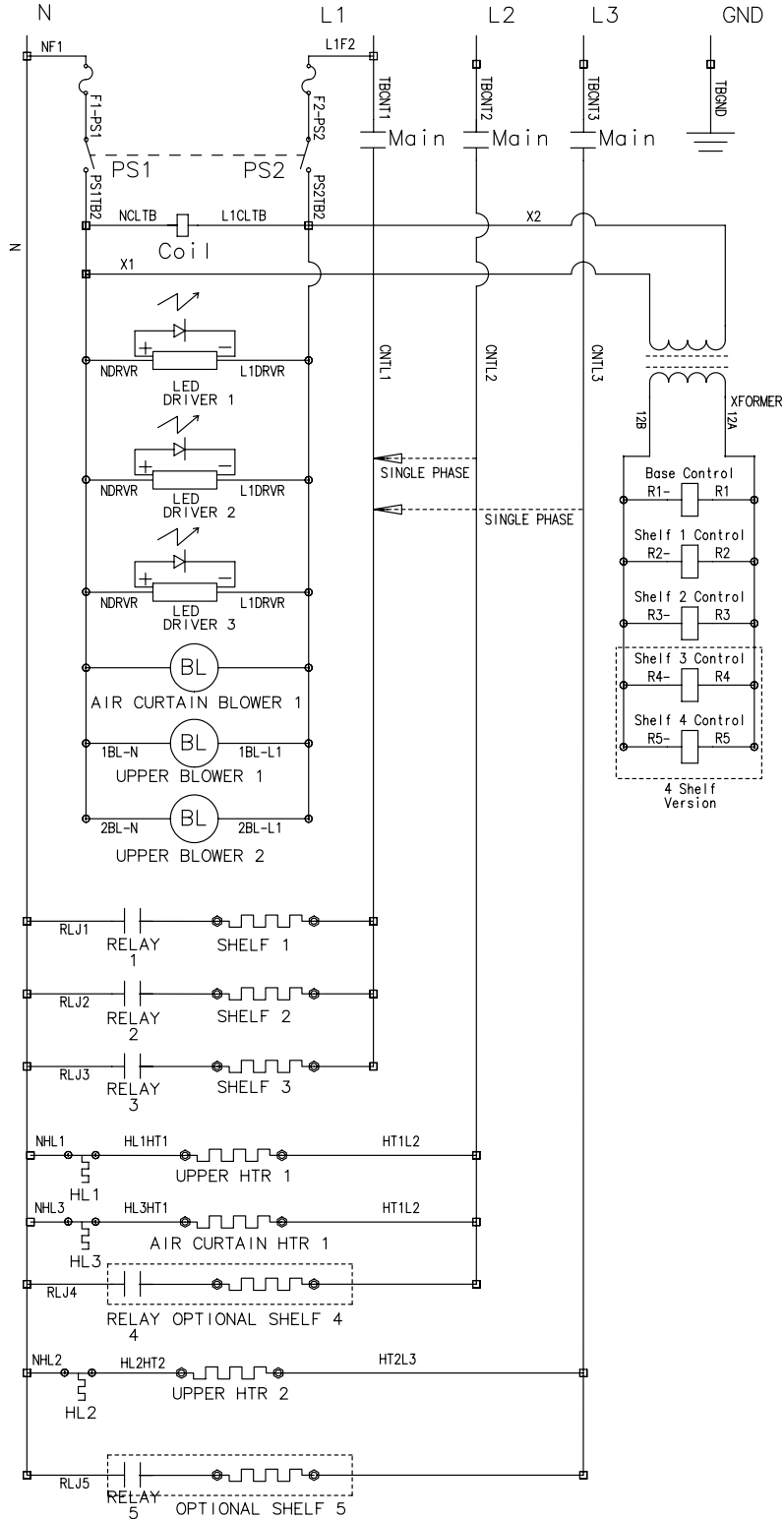
77917
REV. D



EPC3 3,4, OR 5 LEVEL
1PH OR 3PH
208/240V

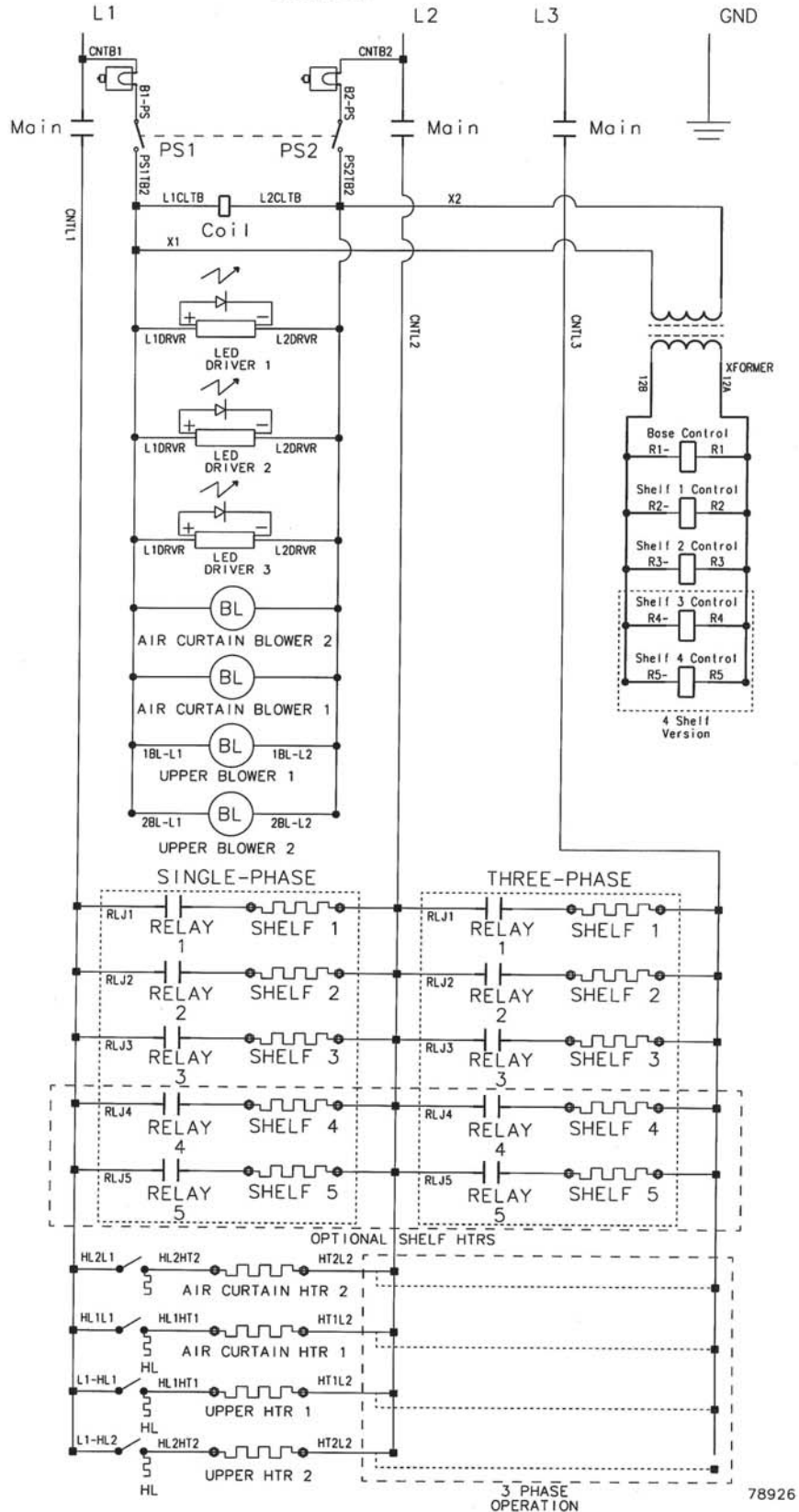


HENNY PENNY
Global Foodservice Solutions
EPC3 3, 4, OR 5 LEVEL
1PH OR 3PH
230/400V





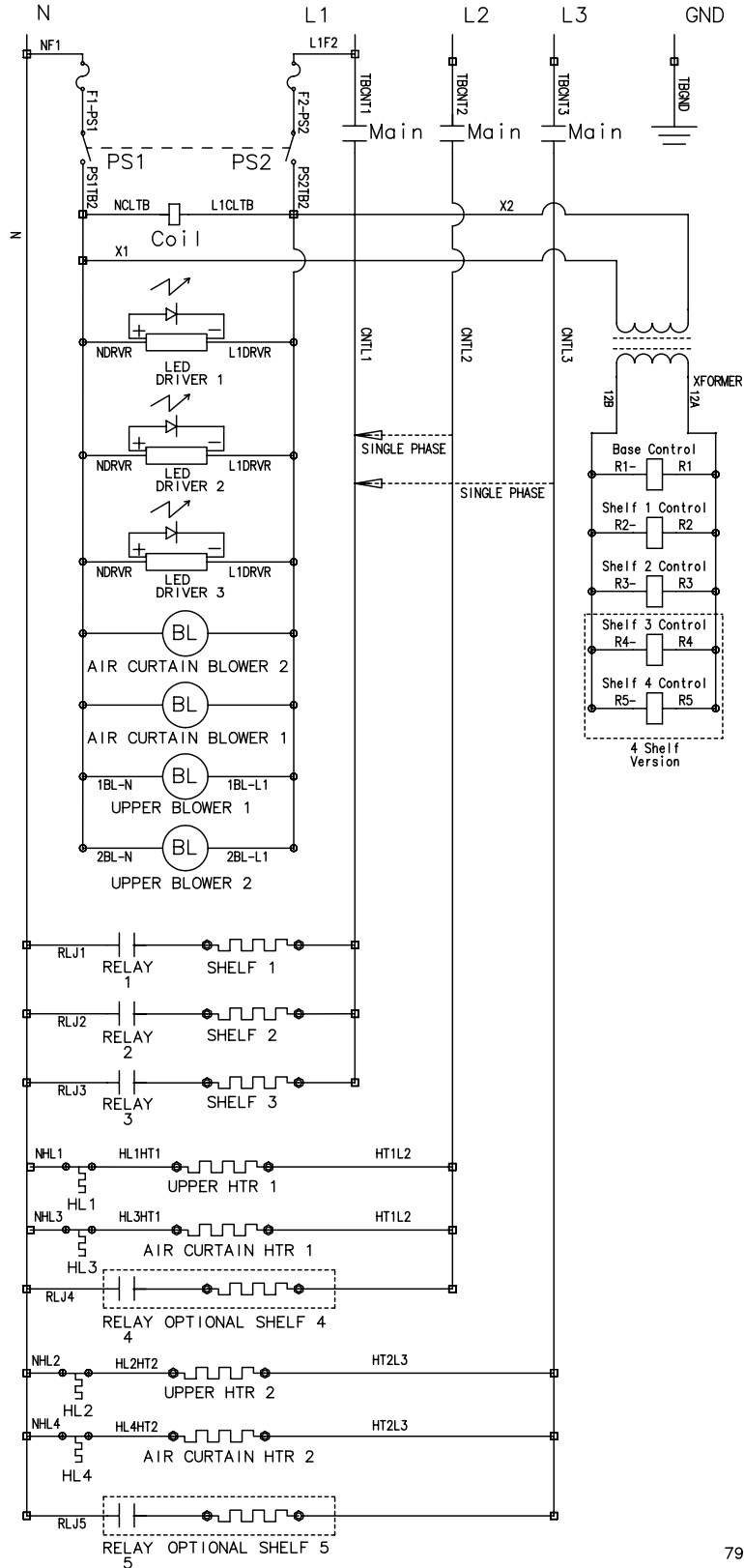
EPC4 3, 4, OR 5 LEVEL
1PH OR 3PH
208/240V



78926



EPC4 3, 4, OR 5 LEVEL
1PH OR 3PH
230/400V



SECTION 3. PARTS INFORMATION

3-1. INTRODUCTION

This section identifies and lists the replaceable parts of the Henny Penny merchandiser.

3-2. GENUINE PARTS

Use only genuine Henny Penny parts in your cabinet. Using a part of lesser quality or substitute design may result in cabinet damage or personal injury.

3-3. HOW TO ORDER

Once the part you want to order has been found in the Parts List, write down the following information:

1. From the Parts List
(Sample)
Item Number 3
Part Number 40645
Description Relay
2. From the data plate
(Sample)
Product Number HEC104.0
Serial Number AY001JJ
Voltage 102/208V

3-4. PRICES

Your independent Henny Penny distributor has a price parts list and will be glad to inform you of the cost of your parts order.

3-5. DELIVERY

Commonly replaced items are stocked by your independent Henny Penny distributor and will be sent out when your order is received. Other parts will be ordered by the distributor from Henny Penny Corporation. Normally, these will be sent to your distributor within three working days.

3-6. WARRANTY

All replacement parts (except lamps and fuses) are covered under warranty for 90 days against manufacturing defects and workmanship. If damage occurs during shipping, notify the carrier at once so that a claim may be properly filed. Refer to warranty on the front of this section for other rights and limitations.

3-7. RECOMMENDED SPARE PARTS FOR DISTRIBUTORS

Recommended replacement parts, stocked by your distributor, are indicated with ✓ in the parts lists. Please use care when ordering recommended parts, because all voltages and variations are marked. Distributors should order parts based upon common voltages and equipment sold in their territory.

EPC-2/3/4 PARTS LIST

Part No.	Description	Quantity		
		EPC2	EPC3	EPC4
√ 78315-001	Driver – LED Light – 100-240V - 1400MA	2	2	2
√ 78315-002	Driver – LED Light – 100-240V - 1050MA	-	-	1
√ 78313	Driver – LED Light – 100-240V - 700MA	-	1	-
√ 76902	Light – 30 in.LED – EPC2; EPC3 & 4 (short)	2	2	2
	(Horizontal LED strip for EPC3 - tall)	-	1	-
√ 76904	Light – 35.25 in. LED – EPC4 - Horizontal	-	-	1
√ 76908	Light – 48.23 in. LED – EPC3 & 4 (tall)	-	2	2
77065	Assy – Terminal Block – EPC2	1	-	-
77069	Assy – Main Power Terminal Block – EPC2	1	-	-
79297	Assy – Terminal Block-single phase – EPC3 & 4	-	1	1
79300	Assy – Terminal Block-3 phase – EPC3 & 4	-	1	1
80215	Assy - Power Cord – 208V/15A -STRAIGHT	1	-	-
36810	Plug – 250V/NEMA 6-15P	1	-	-
80216	Assy - Power Cord – 120V/30A	1	-	-
71717	Plug – 125V/NEMA 5-30P -ANGLE	1	-	-
78964	Assy - Power Cord – 208/240V - 30A	-	1	1
45062	Plug – 250V/NEMA 6-30P - STRAIGHT	-	1	1
78966	Assy - Power Cord – 208/240V - 50A	-	1	1
41657	Plug – 250V/NEMA 6-50P –ANGLE	-	1	1
√ 77197	Blower –Air Curtain - 120V	1	-	-
√ 76136	Blower –Air Curtain - 230V	1	1	2
√ 77272	Control – EPC		1 1	1
√ 76919-01	Heater – Coil – 120V/220W	1	-	-
√ 76919-02	Heater – Coil – 230V/250W	1	1	1
√ 76919-03	Heater – Coil – 208V/250W	1	1	1
√ 76919-04	Heater – Coil – 240V/250W	1	1	1
√ 80127-01	Heater –Air Curtain – 120V/1200W	1	-	-
√ 80127-02	Heater –Air Curtain – 208V/1200W	1	-	-
√ 77876-01	Heater –Air Curtain – 208V/1700W	-	1	-
√ 77876-02	Heater –Air Curtain – 230V/1700W	-	1	-
√ 77876-03	Heater –Air Curtain – 240V/1700W	-	1	-
√ 78745-01	Heater –Air Curtain – 208V/1180W	-	-	1
√ 78745-02	Heater –Air Curtain – 230V/1180W	-	-	1
√ 78745-03	Heater –Air Curtain – 240V/1180W	-	-	1
√ 14926	Kit – EPC2 Shelf Heater – 120V	3	-	-
√ 14927	Kit – EPC2 Shelf Heater – 230V	3	-	-
√ 14941	Kit – EPC3 Shelf Heater – 208V	-	3 or 4	-
√ 14942	Kit – EPC3 Shelf Heater – 230V	-	3 or 4	-
√ 14943	Kit – EPC3 Shelf Heater – 240V	-	3 or 4	-
√ 14944	Kit – EPC4 Shelf Heater – 208V	-	-	3 or 4
√ 14945	Kit – EPC4 Shelf Heater – 230V	-	-	3 or 4
√ 14946	Kit – EPC4 Shelf Heater – 240V	-	-	3 or 4

EPC-2/3/4 PARTS LIST

Part No.	Description	Quantity		
		EPC2	EPC3	EPC4
81699	Caster-3 in. x 3.75 HT-W/BRK-SN: HB0811003 & Above	2	2	2
81700	Caster-3 in. x 3.75 in. HT- SWV SN: HB0811003 & Above	2	2	2
58138	Caster-3 in. x 4 in. HT- w/BRK SN: HB0811002 & Below	2	2	2
78815	Caster-3 in. x 4 in. HT- SWV SN: HB0811002 & Below	2	2	
√ 72277	Switch – Power – DPST – Splash Proof	1	1	1
76141-003	Glass – Mirrored – RH - EPC2; EPC3 & 4 (short)	1	1	1
76141-004	Glass – Mirrored – LH - EPC2; EPC3 & 4 (short)	1	1	1
76306-003	Glass – Mirrored – RH - EPC3 & 4 (tall)	-	1	1
76306-004	Glass – Mirrored – LH - EPC3 & 4 (tall)	-	1	1
77340	Decal – Control – EPC2 (flames)	1	-	-
78367	Decal – Control – 3 shelf (flames)	-	1	1
78368	Decal – Control – 4 shelf (flames)	-	1	1
81594	Decal – Control – EPC2 (no flames)	1	-	-
81595	Decal – Control – 3 shelf (no flames)	-	1	1
81596	Decal – Control – 4 shelf (no flames)	-	1	1
81593	Label – Top Cap – EPC - (no flames)	1	1	1
77339	Label – Top Cap – EPC2 (flames)	1	-	-
78369	Label – Top Cap – EPC3 (flames)	-	1	-
78370	Label – Top Cap – EPC4 (flames)	-	-	1
√ 56166	Assy – 3 in. Probe	1	1	1
√ 18201	Sensor – High Limit – 335 DEG	2	3	4
√ 81669	Fan – 120V Class B Insulation (top) (after 12/3/08)	1	-	-
√ 25751	Fan – 120V Class B Insulation (top) (before 12/3/8)	1	-	-
√ 16688	Motor – FAN – 230V (Top)	1	-	-
√ 79394	Fan – 230V Class B Insulation (top)	-	2	2
√ 30978	Transformer – 120VP-12VS-20VA	1	-	-
√ 28979	Transformer – 208/240VP-12VS	1	1	1
√ 40645	Relay – 25A – Solid State	3	+	+
76768	Air Diffusers - EPC-2 & 4	1	-	2
78310	Air Diffusers - EPC-3	-	1	-
03562	ACCESSORY-EPC TOP BASKET	1	1	1
03563	ACCESSORY-EPC SIDE BASKET - RECTANGLE	1	1	1
03564	ACCESSORY-EPC TOP BASKET - ROUND	1	1	1
√ 14930	Kit - Contactor - 208-240V - Low Profile	-	1	1

+ quantity = no. of shelves