



**Henny Penny**  
**Hand Breader/Sifter**  
**Model HB-11**

**TECHNICAL MANUAL**

## TABLE OF CONTENTS

### Section Page

Section 1. MAINTENANCE .....	1-1
1-1. Introduction.....	1-1
1-2. Safety .....	1-1
1-3. Replacement of Belt .....	1-2
1-4. Replacement of Mandrel.....	1-2
1-5. Replacement of Motor.....	1-3
1-6. Replacement of Switch .....	1-4
1-7. Replacement of Rod End Bearing .....	1-5
1-8. Replacement of Push Rod Bearing .....	1-6
1-9. Replacement of Sifter Bearing .....	1-6
1-10. Wiring Diagrams.....	1-7
Section 2. PARTS INFORMATION .....	2-1
2-1. Introduction.....	2-1
2-2. Genuine Parts .....	2-1
2-3. How to Find Parts .....	2-1
2-4. How to Order Parts .....	2-1
2-5. Prices.....	2-1
2-6. Delivery .....	2-1
2-7. Warranty .....	2-1
2-8. Recommended Spare Parts for Distributors.....	2-1

## SECTION 1. MAINTENANCE

### 1-1. INTRODUCTION

Electrical and mechanical components which may require servicing are contained beneath the cover plate assembly. Outlined below are step by step procedures when replacing parts becomes necessary. Refer to exploded drawing in this manual.

### 1-2. SAFETY

The only way to ensure safe operation of the Henny Penny Hand Breader/Sifter is to fully understand the proper installation, operation, and maintenance procedures. The instructions in this manual have been prepared to aid you in learning the proper procedures. Where information is of particular importance or is safety related, the words NOTICE, CAUTION or WARNING are used. Their usage is described below:



SAFETYALERT SYMBOL is used with DANGER, WARNING, or CAUTION which indicates a personal injury type hazard.

NOTICE is used to highlight especially important information.

*CAUTION used without the safety alert symbol indicates a potentially hazardous situation which, if not avoided, may result in property damage.*

*CAUTION used with the safety alert symbol indicates a potentially hazardous situation which, if not avoided, may result in minor or moderate injury.*

**WARNING indicates a potentially hazardous situation which, if not avoided, could result in death or serious injury.**

### 1-3. REPLACEMENT OF BELT

1. Remove all equipment (breading lugs, back splash, dip pot, etc.) from top of unit.
2. Remove top (28) by lifting from unit.
3. Using a #2 Phillips screwdriver, remove two screws (17) from cover plate assembly (16), and slide cover plate assembly out towards the sifter basket.
4. Using a 1/2" wrench, loosen the hex nuts on the adjustable foot (10) so that the motor (8) can be moved to loosen the belt (1).
5. Replace belt and adjust tension.



Proper tension is achieved when belt deflects approximately 1/2" (12.7 mm).

### 1-4. REPLACEMENT OF MANDREL



**To avoid electrical shock or property damage, move the power switch to OFF and disconnect main circuit breaker, or unplug cord at wall receptacle.**

1. Remove all equipment from top of unit.
2. Remove top (28) by lifting from unit.
3. Remove two screws (17) from cover plate assembly (16) and slide assembly out towards the sifter basket.

**1-4. REPLACEMENT OF  
MANDREL (Continued)**

4. Loosen hex nuts on the adjustable foot (10), move motor, and loosen belt. Remove belt.
5. Using a 5/16" Allen wrench, remove set screw (62) from driven pulley and remove pulley (53).
6. Turn mandrel shaft (52) until the eccentric (49) and rod end bearing (46) are accessible.
7. Remove shoulder screw (51) and washers (48-43) and allow rod end bearing (46) and push rod assembly (44) to fall free.
8. Remove four bolts (5) holding mandrel to mounting bracket and remove.
9. Remove eccentric (49) and eccentric spacer (57) by moving eccentric clockwise.



*The eccentric has left hand threads. Move the eccentric clockwise or threads of eccentric could be damaged.*

**1-5. REPLACEMENT OF  
MOTOR**



**To avoid electrical shock or property damage, move the power switch to OFF and disconnect main circuit breaker, or unplug cord at wall receptacle.**

1. Remove all equipment from top of unit.
2. Remove top (28) by lifting from unit.
3. Remove two screws (17) from cover plate assembly (16) and slide assembly out towards the sifter basket.
4. Remove nut (50) from cord clamp (26), and pull cord from clamp.

## 1-5. REPLACEMENT OF

### MOTOR (Continued)

5. Loosen the hex nuts on the adjustable foot (10), loosen belt, and then remove belt.
6. Remove the hinge pin from hinge (7) and remove motor (8).
7. Remove the wiring cover plate from the motor and disconnect wires from motor.

### **CAUTION**

*When wiring new motor leads, refer to the wiring diagram in this manual. The motor must rotate in a counterclockwise direction, or damage to the unit could result.*

8. Transfer bolts (5), nuts (2), lockwashers (3), and hinge to new motor and install.
9. Reassemble in reverse order of above procedures.

### **CAUTION**

*To avoid loose connections and possible component damage, wire nut connections must be tight and secured with electrical tape.*

## 1-6. REPLACEMENT OF SWITCH



**To avoid electrical shock or property damage, move the power switch to OFF and disconnect main circuit breaker, or unplug cord at wall receptacle.**

1. Remove all equipment from top of unit.
2. Remove top (28) by lifting from unit.
3. Remove two screws (17) from cover plate assembly.
4. Remove the switch mounting nut, switch on/off plate and switch guard.
5. Place wires on new switch exactly as on old switch.
6. Replace switch nut, on/off plate, and switch guard, and tighten.

**1-7. REPLACEMENT OF  
ROD END BEARING**



**To avoid electrical shock or property damage, move the power switch to OFF and disconnect main circuit breaker, or unplug cord at wall receptacle.**

1. Remove all equipment from top of unit.
2. Remove top (28) by lifting from unit.
3. Remove two screws (17) from cover plate assembly (16) and slide assembly out towards the sifter basket.
4. Turn mandrel shaft (52) until eccentric (49) and rod end bearing (46) are accessible.
5. Remove shoulder screw (51), nut and washers (48-43), and allow rod end bearing (46) and push rod assembly (44) to fall free.
6. Remove spring retainer (38) and lift push rod (44) off basket holder (39).
7. Remove push rod assembly from unit and measure the distance from the end of the rod end bearing (46) to the locking nut (45).
8. Using two 9/16" wrenches, loosen locking nut (45) and unthread rod end bearing from push rod (44).
9. Install locking nut (45) to new rod end bearing in same position as old rod end bearing.
10. Snug locking nut and install push rod assembly to basket holder (39) and eccentric (49), and tighten with 9/16" wrench.

**1-8. REPLACEMENT OF  
PUSH ROD BEARING**



**To avoid electrical shock or property damage, move the power switch to OFF and disconnect main circuit breaker, or unplug cord at wall receptacle.**

1. Remove all equipment from top of unit.
2. Remove spring retainer (38) from basket holder (39).
3. Lift end of push rod (44) from basket holder.
4. Replace push rod bearing (42).

**1-9. REPLACEMENT OF  
SIFTER BEARING**

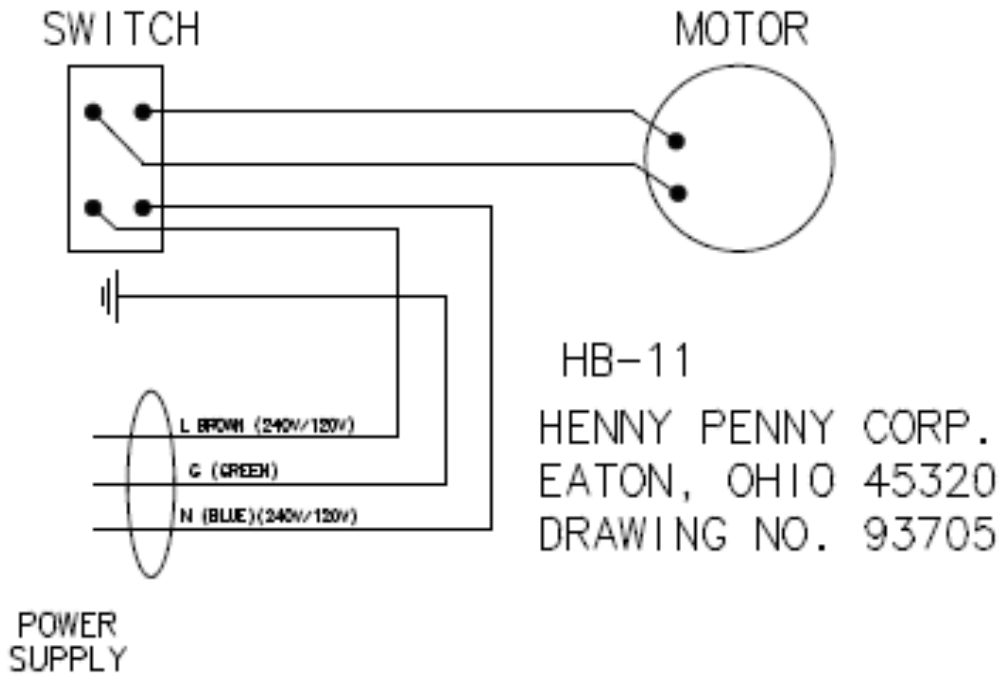


**To avoid electrical shock or property damage, move the power switch to OFF and disconnect main circuit breaker, or unplug cord at wall receptacle.**

1. Remove all equipment from top of unit.
2. Remove spring retainer (38) from basket holder (39).
3. Lift end of push rod (44) from basket holder.
4. Remove basket (40-41) and basket holder (39) from unit.
5. Replace sifter bearing (37).



1-10.WIRING DIAGRAMS



## **LIMITED WARRANTY FOR HENNY PENNY EQUIPMENT**

Subject to the following conditions, Henny Penny Corporation makes the following limited warranties to the original purchaser only for Henny Penny appliances and replacement parts:

**NEW EQUIPMENT:** Any part of a new appliance, except baskets, lamps, and fuses, which proves to be defective in material or workmanship within two (2) years from date of original installation, will be repaired or replaced without charge F.O.B. factory, Eaton, Ohio, or F.O.B. authorized distributor. Baskets will be repaired or replaced for ninety (90) days from date of original installation. Lamps and fuses are not covered under this Limited Warranty. To validate this warranty, the registration card for the appliance must be mailed to Henny Penny within ten (10) days after installation.

**FILTER SYSTEM:** Failure of any parts within a fryer filter system caused by the use of the non-OEM filters or other unapproved filters is not covered under this Limited Warranty.

**REPLACEMENT PARTS:** Any appliance replacement part, except lamps and fuses, which proves to be defective in material or workmanship within ninety (90) days from date of original installation will be repaired or replaced without charge F.O.B. factory, Eaton, Ohio, or F.O.B. authorized distributor.

The warranty for new equipment covers the repair or replacement of the defective part and includes labor charges and maximum mileage charges of 200 miles round trip for a period of one (1) year from the date of original installation.

The warranty for replacement parts covers only the repair or replacement of the defective part and does not include any labor charges for the removal and installation of any parts, travel, or other expenses incidental to the repair or replacement of a part.

**EXTENDED FRYPOT WARRANTY:** Henny Penny will replace any frypot that fails due to manufacturing or workmanship issues for a period of up to seven (7) years from date of manufacture. This warranty shall not cover any frypot that fails due to any misuse or abuse, such as heating of the frypot without shortening.

**0 TO 3 YEARS:** During this time, any frypot that fails due to manufacturing or workmanship issues will be replaced at no charge for parts, labor, or freight. Henny Penny will either install a new frypot at no cost or provide a new or reconditioned replacement fryer at no cost.

**3 TO 7 YEARS:** During this time, any frypot that fails due to manufacturing or workmanship issues will be replaced at no charge for the frypot only. Any freight charges and labor costs to install the new frypot as well as the cost of any other parts replaced, such as insulation, thermal sensors, high limits, fittings, and hardware, will be the responsibility of the owner.

Any claim must be presented to either Henny Penny or the distributor from whom the appliance was purchased. No allowance will be granted for repairs made by anyone else without Henny Penny's written consent. If damage occurs during shipping, notify the sender at once so that a claim may be filed.

THE ABOVE LIMITED WARRANTY SETS FORTH THE SOLE REMEDY AGAINST HENNY PENNY FOR ANY BREACH OF WARRANTY OR OTHER TERM. BUYER AGREES THAT NO OTHER REMEDY (INCLUDING CLAIMS FOR ANY INCIDENTAL OR CONSEQUENTIAL DAMAGES) SHALL BE AVAILABLE.

The above limited warranty does not apply (a) to damage resulting from accident, alteration, misuse, or abuse; (b) if the equipment's serial number is removed or defaced; or (c) for lamps and fuses. THE ABOVE LIMITED WARRANTY IS EXPRESSLY IN LIEU OF ALL OTHER WARRANTIES, EXPRESS OR IMPLIED, INCLUDING MERCHANTABILITY AND FITNESS, AND ALL OTHER WARRANTIES ARE EXCLUDED. HENNY PENNY NEITHER ASSUMES NOR AUTHORIZES ANY PERSON TO ASSUME FOR IT ANY OTHER OBLIGATION OR LIABILITY.

Revised 01/01/07

**SECTION 2. PARTS INFORMATION**

**2-1. INTRODUCTION**

This section identifies and lists the replaceable parts of the Henny Penny HB-121 Hand Breader/Sifter.

**2-2. GENUINE PARTS**

Use only genuine Henny Penny parts in your unit. Using a part of lesser quality or substitute design may result in unit damage or personal injury.

**2-3. HOW TO FIND PARTS**

To find items you want to order from the Parts List, proceed as follows:

1. Refer to the exploded drawing in this section to identify the part needed.
2. Use the item number from the exploded drawing to locate the corresponding part in the parts list in this section. In this list will be the Henny Penny part number and description of the part.

**2-4. HOW TO ORDER PARTS**

Once the part you want to order has been found in the Part List, write down the following information:

1. From the exploded drawing and Parts List (Sample)
 

Item Number	_____
Part Number	_____
Description	_____
2. From the data plate (Sample)
 

Product Number	_____ <b>HB11.100</b> _____
Serial Number	_____
Voltage	_____ <b>240 V</b> _____

**2-5. PRICES**

Your distributor has a price parts list and will be glad to inform you of the cost of yours parts order.

**2-6. DELIVERY**

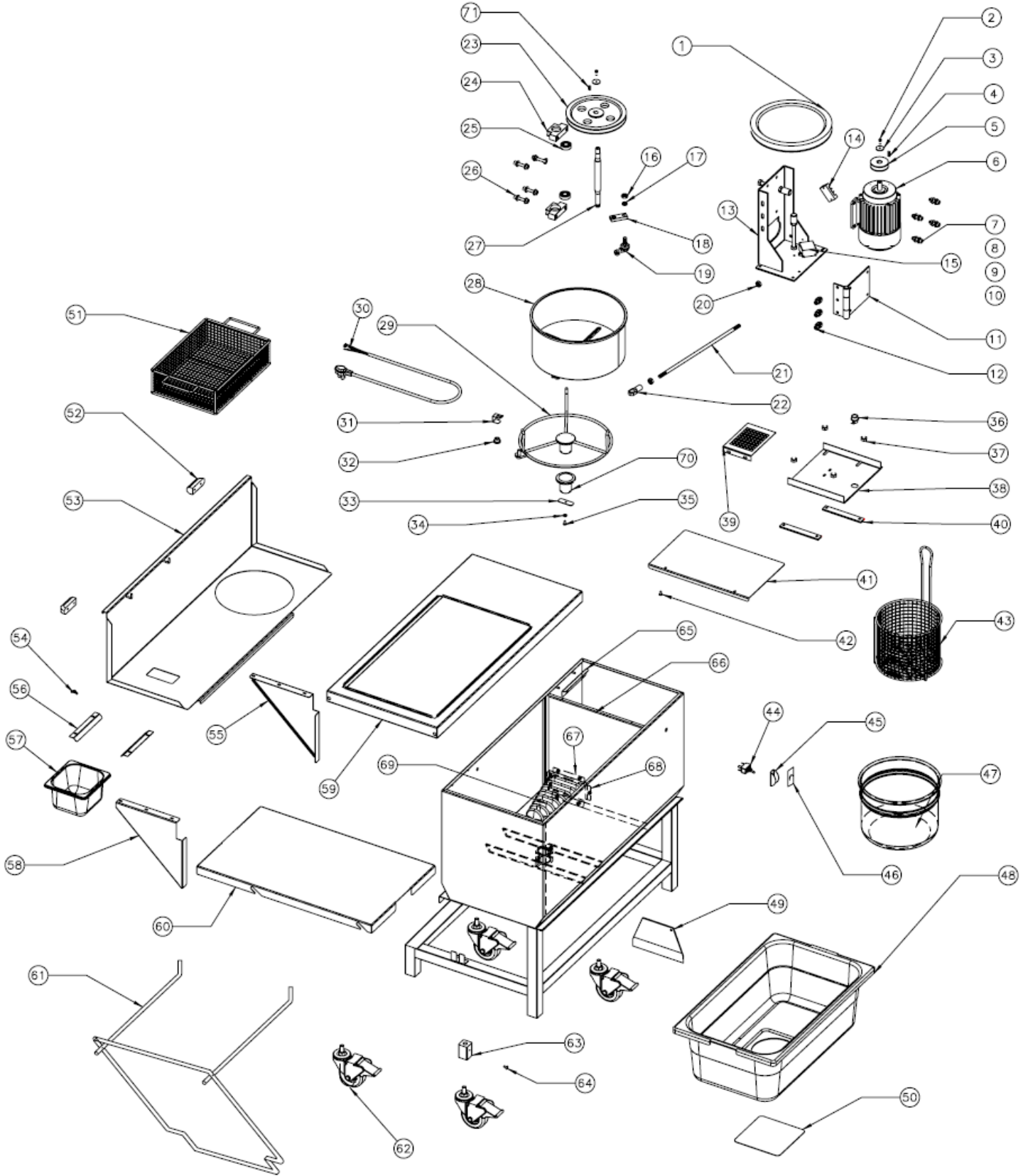
Commonly replaced items are stocked by your independent Henny Penny distributor and will be sent out when your order is received. Other parts will be ordered by the distributor from Henny Penny Corporation. Normally, these will be sent to your distributor within three working days.

**2-7. WARRANTY**

All replacement parts (except lamps and fuses) are covered under warranty for 90 days against manufacturing defects and workmanship. If damage occurs during shipping, notify the carrier at once so that a claim may be properly filed. Refer to the warranty in this manual for other rights and limitations.

**3-7. RECOMMENDED  
SPARE PARTS FOR  
DISTRIBUTORS**

Recommended replacement parts, stocked by your distributor, are indicated with  $\checkmark$  in the parts lists. Please use care when ordering recommended parts, because all voltages and variations are marked. Distributors should order parts based upon common voltages and equipment sold in their territory.



EXPLODED VIEW OF HB11 HAND BREADER/SIFTER

**HAND BREADER/SIFTER HB-11**

No.	Part No.	Description	Qty.
√1	93856	BELT-A28	1
2	SC06-090	SCREW-METRIC M5X12	2
3	25695	WASHER	2
4	93800	KEY-A5X20	1
5	93717	PULLEY-DRIVER	1
√6	93746	MOTOR-HB11	1
7	SC06-088	SCREW-METRIC M8X30	4
8	NS01-041	NUT -M8 LOCK	11
9	LW01-004	LOCKWASHER SPLIT RING 5/16 C	11
10	WA01-002	WASHES 1/4 TYPE A-SERIES W	22
11	93718	HINGE	1
12	SC06-087	SCREW-METRIC M8X25	3
13	93713	BRACKET-DRIVE MOUNTING	1
14	93801	TERMINAL CONNECTION	1
15	93797	CAPACITOR- 8UF 500V	1
16	NS01-040	NUTS-METRIC M10X1.5	1
17	LW01-019	LOCKWASHER SPLIT RING 10MM	1
18	93723	ECCENTRIC	1
√19	93724	ROD END BEARING	1
20	NS01-040	NUTS-METRIC M10X1.5	2
21	93712	SHAFT-HB11	1
22	93714	HANDLE-SHAFT	1
23	93716	PULLEY-DRIVEN	1
24	93721	PILLOW BLOCK	2
√25	93722	BEARING-6202	2
26	SC06-089	SCREW-METRIC M8X45	4
27	93720	SHAFT	1
28	88034	SIFTER BASKET	1
29	88476	HOLDER_BASKET	1
30	76629	ASSY-POWER CORD 240/16A STR	1
31	93410	SPRING-BUSHING RETAINER	1
32	91574	FLANGE BEARING	1
33	88140	BAFFLE PANEL	1
34	LW01-002	LOCKWASHER SPLIT RING 1/4 S	1
35	SC01-074	SCREW #10-32 X 1/2 PH THD S	1
36	EF02-016	STRAIN RELIEF SQUEEZE 3/8	1
37	NS02-002	NUT KEPS 1/4-20 C	6
38	15702	GUARD - DRIVE	1
39	88569	PANEL-ACCESS BOTTOM	1
40	15349	SPACER MOTOR BRKT MTG	2
41	15893	PLATE-MOTOR COVER	1

**HAND BREADER/SIFTER HB-11**

No.	Part No.	Description	Qty.
42	SC04-003	SCREW #8-32 X 3/8 PH PHD S	2
43	86895	DIP BASKET	1
√44	70046	SWITCH-POWER	1
45	15302	GUARD - SWITCH	1
46	22197	ON/OFF SWITCH PLATE	1
47	86896	DIP POT	1
48	86893	BREADING LUG-PLASTIC	2
49	86894	SCRAPER- PLASTIC	1
50	88058	BOTTOM PLUG FOR LUG	2
51	86897	BASKET-SQUARE	1
52	88057	ANTI VIBRATION RUBBER	2
53	88259	STUD ASSY-SPLASH GUARD	1
54	NS03-003	NUT WING #10-24	10
55	88260	GUSSET-SPLASH GUARD R.H.	1
56	88263	GUIDE-PAN	2
57	88056	SMALL GN PAN	1
58	88261	GUSSET-SPLASH GUARD L.H.	1
59	15899	COUNTERTOP	1
60	88033	SUPPORT-TRAY	1
61	15253	BUN PAN SUPPORT	1
62	86892	CASTER 3.5 W/BRAKE	4
63	80539	CONNECTION-CASTER	4
64	SC03-005	SCREW SD #8 X 1/2 PH PHD	4
65	15560	SLIDE - COVER	2
66	88272	PARTITION-STUD ASSY	1
67	15891	CLAMP-BOOT	2
68	15887	CLAMP-BOOT	2
69	15888	BOOT-HAND BREADER PUSH ROD	1
70	15232	SIFTER BEARING	1
71	93799	KEY-C5X15	1

√ recommended parts