

PROJECT	QUANTITY	ITEM NO
---------	----------	---------

Fryer Dump Station

FDS 100
FDS 200



FDS 200 fryer dump station with optional heat lamp



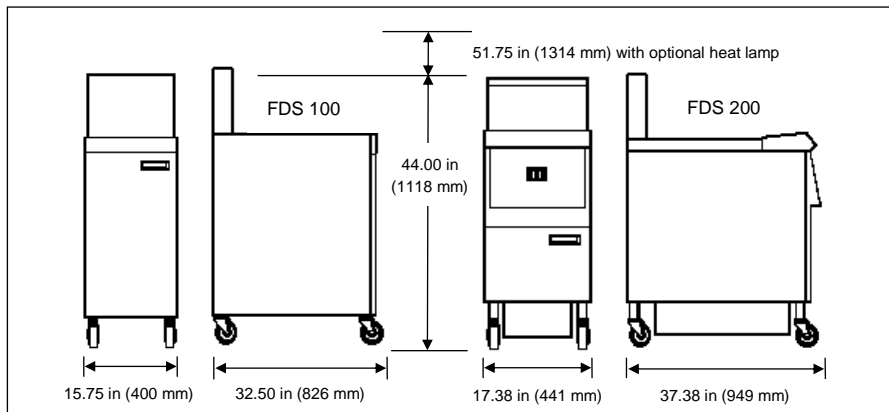
FDS 100 fryer dump station with optional heat lamp

Henny Penny portable dump stations help improve frying production, save on counter space, and offer flexibility of use and location.

The FDS 100 is a compact, portable fryer dump station that uses a standard steam table pan.

The FDS 200 is designed with the same dimensions and profile as the 320 series open fryers. Cooked product is dumped into a perforated stainless steel insert. Excess oil drains into a separate pan.

Both models are available with optional 120 V 0.750 kW heat lamp.



Standard features

- Convenient enclosed storage inside unit with hinged door access
- Stainless steel construction for easy-cleaning and long life
- 4 heavy duty casters, 2 locking
- 120 V 0.750 kW heat lamp (additional charge)
- FDS 100
 - Removable crumb pan
 - Accepts standard 12 x 20 in (305 x 508 mm) steam table pan
- FDS 200
 - Perforated stainless steel insert sloped for scooping French fries or other small fried items
 - Removable side drip shield
 - Drain pan with cover

	FDS 100	FDS 200
Dimensions		
Width	15.75 in (400 mm)	17.38 in (441 mm)
Depth	32.50 in (826 mm)	37.38 in (949 mm)
Height	44.00 in (1118 mm)	44.00 in (1118 mm)
Height w/lamp	51.75 in (1314 mm)	51.75 in (1314 mm)
Crated		
Width	36 in (914 mm)	40 in (1016 mm)
Depth	20 in (508 mm)	25 in (635 mm)
Height	60 in (1524 mm)	53 in (1346 mm)
Volume	25 ft ³ (0.69 m ³)	31 ft ³ (0.86 m ³)
Weight	132 lb (60 kg)	Contact Henny Penny

Capacity
12 lb (5.7 kg) product or up to one full load

Electrical for optional heat lamp

Volts	Hertz	kW	Amps
120	50/60	0.750	6.3
230	50/60	0.689	3.0
240	50/60	0.750	3.1

Includes housing and power cord

Laboratory certifications



Bidding Specifications

Provide Henny Penny model FDS 100 or FDS 200 fryer dump station for dumping cooked product prior to portioning. FDS 100 with dump well that accepts standard full-size steam table pan. FDS 200 matched in dimensions and profile to Henny Penny Series 320 open fryers.

Unit shall incorporate:

- Enclosed storage with door
- 4 heavy-duty casters, 2 locking
- Available 120 V 0.750 kW heat lamp (additional charge)

Continuing product improvement may subject specifications to change without notice.

<input type="checkbox"/> APPROVED	<input type="checkbox"/> APPROVED AS NOTED	<input type="checkbox"/> RESUBMIT
AUTHORIZED SIGNATURE		DATE

Henny Penny Corporation
PO Box 60 Eaton OH 45320 USA

+1 937.456.8400 800.417.8417
+1 937.456.8434 Fax 800.417.8434 Fax
+1.800.417.8405 Technical Support
www.hennypenny.com

HENNY PENNY
Engineered to Last