

PROJECT	QUANTITY	ITEM NO
---------	----------	---------

Fryer Dump Station

for Evolution Elite® open fryers

FDS 210

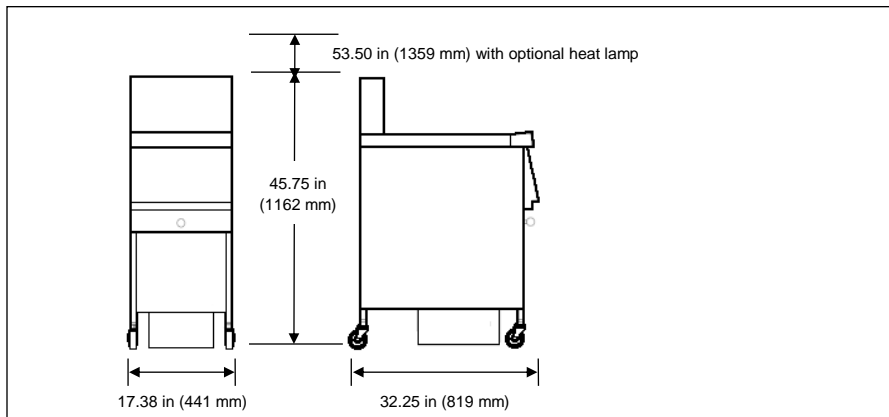


FDS 210 fryer dump station

Henny Penny portable fryer dump stations help improve frying production, save on counter space, and offer flexibility of use and location.

The FDS 210 is designed with the same dimensions and profile as Henny Penny Evolution Elite® open fryers and can be attached to the fryer. Cooked product is drained over the fry vat and then dumped into the adjacent dump station, reducing extra movement and messy drips. Excess cooking oil from product drains into concealed drip pan.

The FDS 210 can be ordered with an overhead 120 V 0.750 kW heat lamp for an additional charge.



Standard features

- Perforated stainless steel insert sloped for scooping French fries or other small fried items
- Concealed drain pan
- Convenient above-floor storage for additional JIB
- Stainless steel construction for easy-cleaning and long life
- 4 heavy duty casters, 2 locking
- 120 V 0.750 kW heat lamp (additional charge)

Dimensions

Width	17.38 in (441 mm)
Depth	32.25 in (819 mm)
Height	45.75 in (1162 mm)
Height	53.50 in (1359 mm) with lamp

Crated

Length	34 in (860 mm)
Depth	22 in (556 mm)
Height	52 in. (1321 mm)
Volume	23 ft ³ (0.63 m ³)
Weight	123 lb (56 kg)

Capacity

12 lb (5.7 kg) product or up to one full load

Electrical for optional heat lamp

Volts	Hertz	kW	Amps
120	50/60	0.750	6.3
230	50/60	0.689	3.0
240	50/60	0.750	3.1

Includes housing and power cord

Laboratory certifications



Bidding Specifications

Provide Henny Penny model FDS 210 fryer dump station matched in dimensions and profile to Henny Penny Evolution Elite® fryer for adjacent installation.

Unit shall incorporate:

- Angled perforated insert that permits excess oil to drain into concealed drain pan
- Above-floor storage for jug-in-box oil container
- 4 heavy-duty casters, 2 locking.
- Available 120 V 0.750 kW heat lamp (additional charge)

Continuing product improvement may subject specifications to change without notice.

<input type="checkbox"/> APPROVED	<input type="checkbox"/> APPROVED AS NOTED	<input type="checkbox"/> RESUBMIT
AUTHORIZED SIGNATURE		DATE

Henny Penny Corporation
 PO Box 60 Eaton OH 45320 USA
 +1 937.456.8400 800.417.8417
 +1 937.456.8434 Fax 800.417.8434 Fax
 +1.800.417.8405 Technical Support
www.hennypenny.com

