

PROJECT	QUANTITY	ITEM NO
---------	----------	---------

Fryer Oil Disposal System

ODS 300



ODS 300 fryer oil disposal system

The unappealing job of draining, transporting and disposing of spent frying oil becomes much easier with the Henny Penny ODS 300.

Simply roll out the fryer filter pan, roll in the ODS 300 and drain. No tilting, stooping or lifting involved. A hinged lid latches shut to form a tight seal around the drain pan, preventing spills during transport. The load is easily transported on two large 7 in (178 mm) rear wheels.

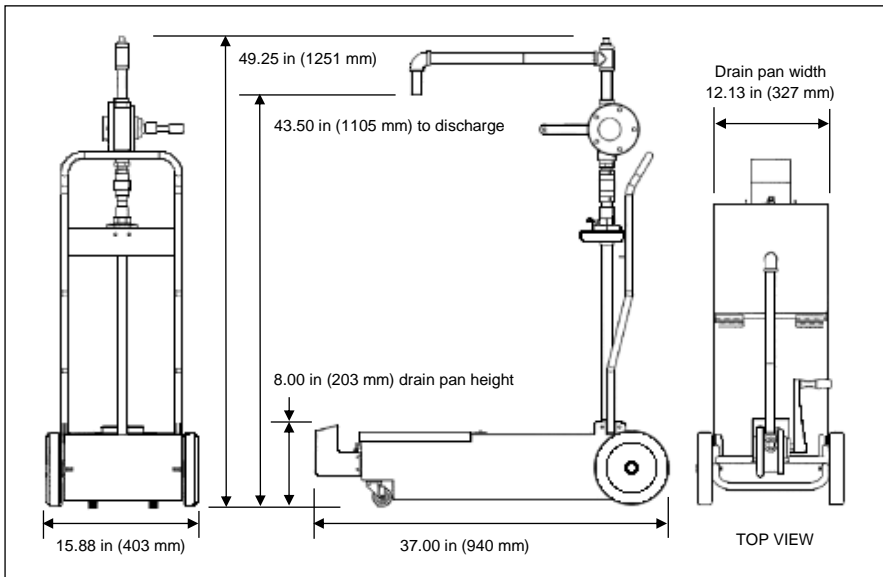
A one-piece discharge pipe swings out to either side for convenient disposal. The powerful manual pump is located at the ideal height, making pump out fast and easy.

Standard Features

- Powerful manual pump empties 50 lb (23 kg) of oil in less than a minute
- Low profile, 8 in (203 mm) pan height allows unit to roll under nearly any fryer for direct draining
- Check valve insures consistent pump priming
- One-piece discharge pipe swings at height to clear most containers
- Easy-grip retainer screw locks swing pipe into any convenient position
- Hinged drain pan lid latches closed over perimeter seal to prevent spills
- Swivel casters in front, large 7 in (178 mm) rear wheels for smooth, stable transport
- 2-year parts/1-year labor warranty

Options

- 60 in (1524 mm) drain hose with connection



Dimensions

Width	15.88 in (403 mm)
Width pan	12.13 in (327 mm)
Depth	37.00 in (940 mm)
Height	49.25 in (1251 mm)
Height to discharge	43.00 in (1105 mm)
Height drain pan	8.00 in (203 mm)

Crated

Length	30 in (762 mm)
Depth	21 in (533 mm)
Height	20 in (508 mm)
Volume	7.3 ft ³ (0.20 m ³)
Weight	62 lb (28 kg)

Oil capacity

50 lb (23 kg)

Continuing product improvement may subject specifications to change without notice.

<input type="checkbox"/> APPROVED	<input type="checkbox"/> APPROVED AS NOTED	<input type="checkbox"/> RESUBMIT
AUTHORIZED SIGNATURE		DATE

Henny Penny Corporation
 PO Box 60 Eaton OH 45320 USA
 +1 937 456.8400 800 417.8417
 +1 937 456.8434 Fax 800 417.8434 Fax
 +1 800 417.8405 Technical Support
www.hennypenny.com

