

PROJECT	QUANTITY	ITEM NO
---------	----------	---------

Fryer Oil Disposal Shuttle

ODS 400



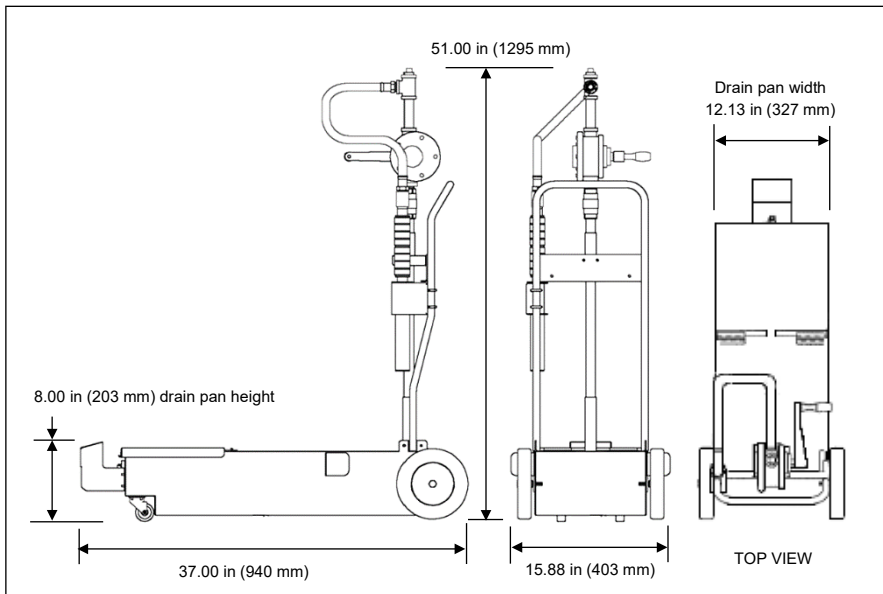
The unappealing job of draining, transporting and disposing of spent frying oil becomes much easier with the Henny Penny ODS 400 oil disposal shuttle.

Simply roll out the fryer filter pan, roll in the ODS 400 and drain. No tilting, stooping or lifting involved. A hinged lid latches shut to form a tight seal around the drain pan, preventing spills during transport. The load is easily transported on two large 7 in (178 mm) rear wheels.

Discharge into appropriate container through flexible drain hose. Manual pump is located at the ideal height, making pump out fast and easy.

Standard Features

- Powerful manual pump empties 50 lb (23 kg) of oil in less than a minute
- Low profile, 8 in (203 mm) pan height allows unit to roll under nearly any fryer for direct draining
- Check valve insures consistent pump priming
- Flexible discharge hose with spout handle
- Hinged drain pan lid latches closed over perimeter seal to prevent spills
- Swivel casters in front, large 7 in (178 mm) rear wheels for smooth, stable transport
- Adapter collar for use with PFE 500 and PFG 600 pressure fryers
- 2-year parts/1-year labor warranty



Dimensions

Width	15.88 in (403 mm)
Width drain pan	12.13 in (327 mm)
Depth	37.00 in (940 mm)
Height	51.00 in (1295 mm)
Height to drain pan	8.00 in (203 mm)

Crated

Length	
Depth	Contact Henny Penny
Height	
Volume	8.5 ft ³ (0.24 m ³)
Weight	78 lb (35 kg)

Oil capacity

50 lb (23 kg)

Continuing product improvement may subject specifications to change without notice.

24 Hour Technical Support:
Henny Penny Technical Service
800 417.8405
technicalservices@hennypenny.com

Henny Penny Corporation
PO Box 60 Eaton OH 45320 USA
+1 937 456.8400 800 417.8417
+1 937 456.8434 Fax 800 417.8434 Fax
www.hennypenny.com

HENNY PENNY
Engineered to Last