

Multipurpose Holding Cabinet



Parts
Manual

MP 94X



Table of Contents

Shell and Drawer 4

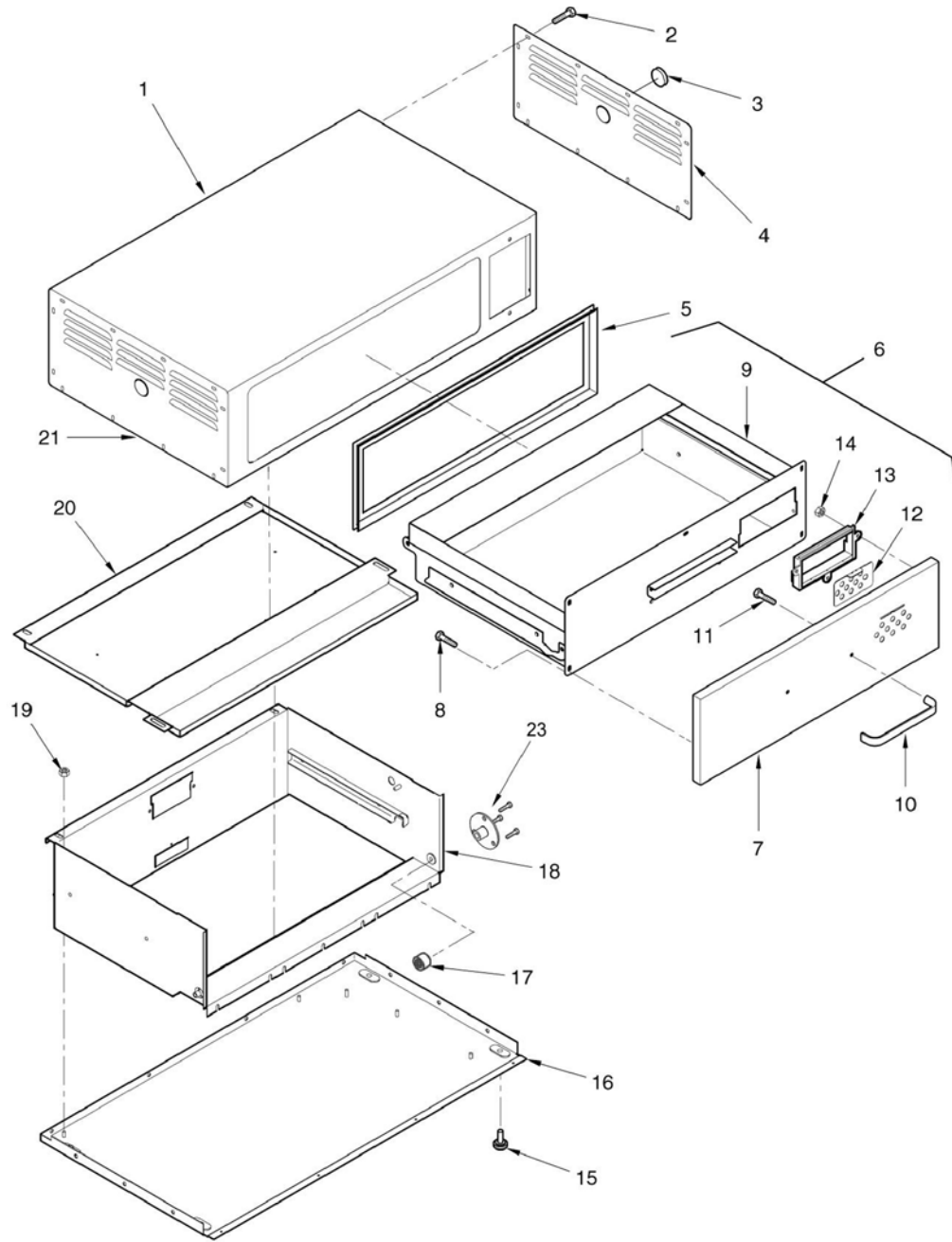
Heater and Cover Plate 7

Rear Panel 10

Electrical Controls 12

Paper Tray 15

Shell and Drawer



Item No.	Part No.	Description	Qty. 941	Qty. 942	Qty. 943	Qty. 944	Stocking Level
1	51514	Shell assembly, 941	1	-	-	-	

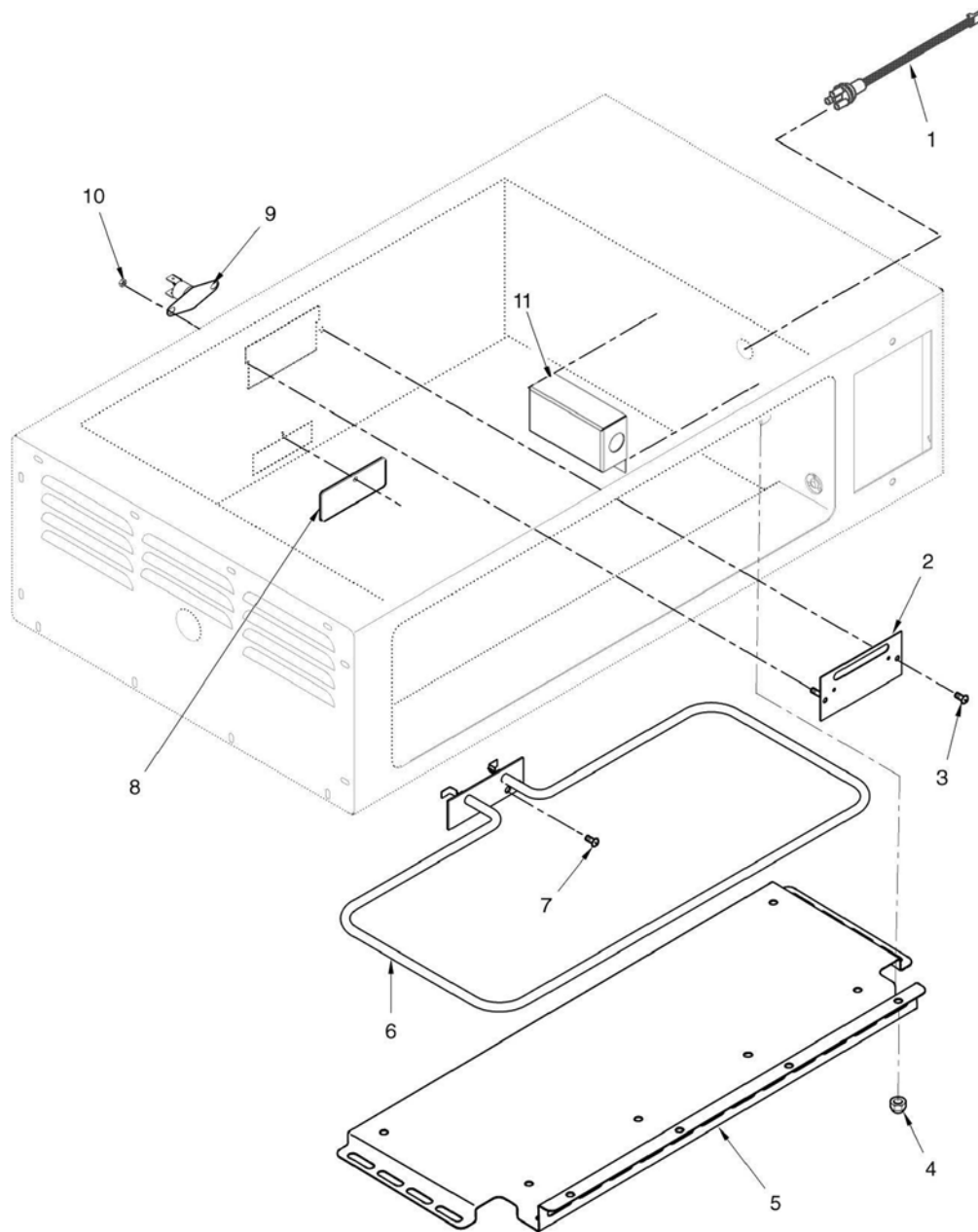
Item No.	Part No.	Description	Qty. 941	Qty. 942	Qty. 943	Qty. 944	Stocking Level
1	52626	Shell assembly, right, 942	-	1	-	-	
1	52649	Shell assembly, left, 942	-	1	-	-	
1	52650	Shell assembly, right, 943	-	-	1	-	
1	52651	Shell assembly, left, 943	-	-	1	-	
1	52652	Shell assembly, right, 944	-	-	-	1	
1	52653	Shell assembly, left, 944	-	-	-	1	
2	SC01-034	Screws	10	10	10	10	
3	PL01-014	Plug, 1 1/16 in	2	3	3	1	
4	51306	Access panel, right	1	1	1	-	
4	51912	Side access panel, right, 944	-	-	-	1	
5	51718	Drawer gasket	1	2	3	4	A
6	49548	Drawer assembly	1	2	3	4	
7	14715	- Drawer front assembly kit (1 vent)	1	2	3	4	
8	SC02-016	- Front retaining screw	5	10	15	20	
9	49550	- Drawer weld assembly	1	2	3	4	
10	31395	- Drawer handle	1	2	3	4	
11	SC01-144	- Handle retaining screw	2	4	6	8	
12	51497	- Vent slide	1	2	3	4	

Item No.	Part No.	Description	Qty. 941	Qty. 942	Qty. 943	Qty. 944	Stocking Level
13	27501	- Vent molded block	1	2	3	4	
14	NS02-006	- Nut	3	6	9	12	
15	26411	Foot	4	4	5	-	
16	51503	Base assembly, 941	1	-	-	-	
16	53639	Base assembly, right, 942	-	1	-	-	
16	52640	Base assembly, left, 942	-	1	-	-	
16	52641	Base assembly, right, 943	-	-	1	-	
16	52642	Base assembly, left, 943	-	-	1	-	
17	14113	Bearing kit	1	2	3	4	A
18	51505	Liner weld assembly	1	2	3	4	
19	NS02-002	Nut	4	8	12	16	
20	52131	Top stud assembly liner	1	2	3	4	
21	51097	Access panel, left	1	1	1	-	
21	51912	Access panel, left	-	-	-	1	
22*	52701	Temperature calibration decal	1	1	1	1	
23	14458	Bearing support kit	2	4	6	8	

Recommended Parts: A = Truck Stock; B = Dist. Stock

*** = Not Shown**

Heater and Cover Plate

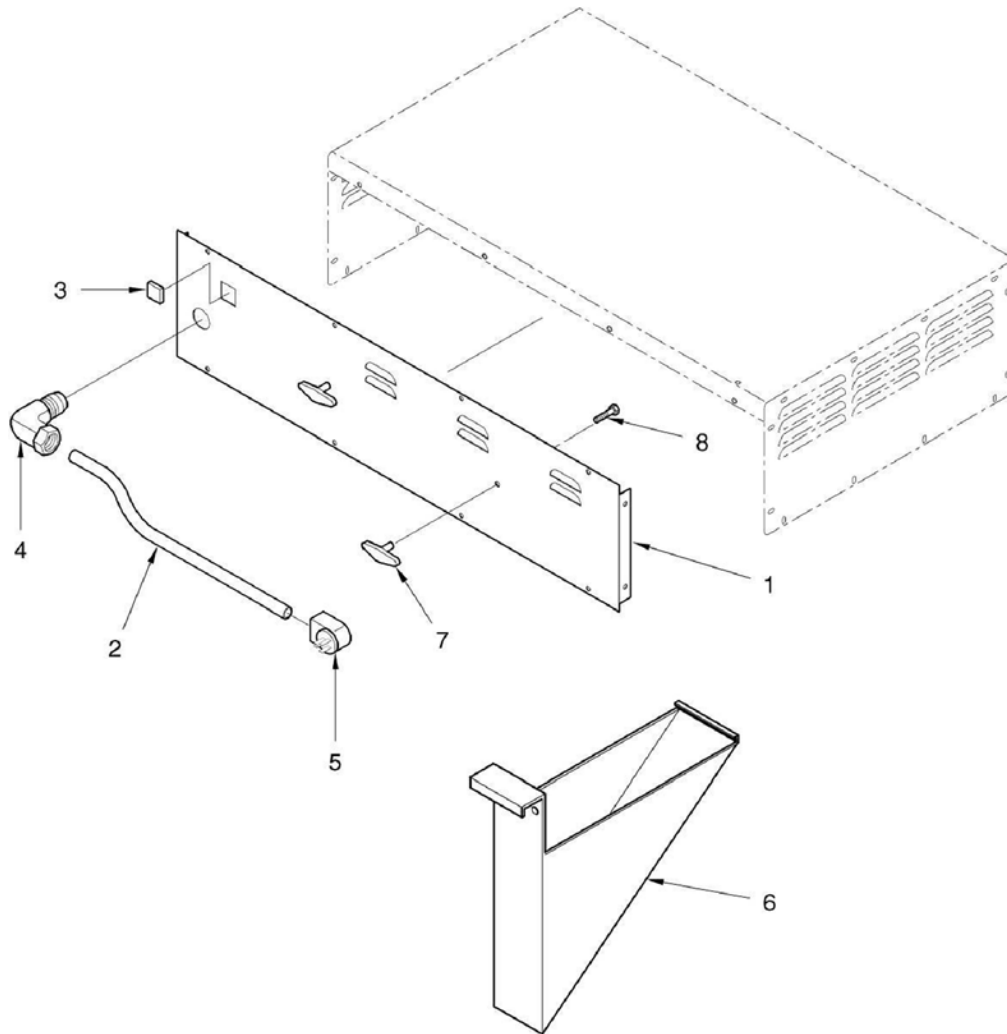


Item No.	Part No.	Description	Qty. 941	Qty. 942	Qty. 943	Qty. 944	Stocking Level
1	52100	Temperature sensor assembly	1	2	3	4	A

Item No.	Part No.	Description	Qty. 941	Qty. 942	Qty. 943	Qty. 944	Stocking Level
2	51951	Heater bracket (Before SN: GA0407031)	1	2	3	4	
3	SC01-034	Screw	2	4	6	8	
4	NS03-024	Acorn nut	3	6	9	12	
5	51329	Heat deflector (Before April 1, 2001)	1	2	3	4	
5	70793	Heat deflector (April 1, 2001 & after)	1	2	3	4	
6	51796	Heater, 120 VAC, 475 W	1	2	3	4	A
6	51932	Heater, 240 VAC, 475 W	1	2	3	4	A
7	SC02-041	Screw	2	2	2	2	
8	51325	Heater cover plate	1	2	3	4	
9	18201	High limit, 335° F	1	2	3	4	
10	NS02-005	Nut	2	2	2	2	
11	52237	Temperature sensor cover	1	2	3	4	
12*	51468	Insulation, non-control side, right	1	1	1	-	
12*	52689	Insulation liner, control side, left	-	1	1	-	

Item No.	Part No.	Description	Qty. 941	Qty. 942	Qty. 943	Qty. 944	Stocking Level
12*	51473	Insulation liner, control side, right	-	-	-	1	
12*	52691	Insulation liner, control side, left	-	-	-	1	
12*	51469	Shell top insulation	1	2	3	4	
12*	51470	Insulation liner, bottom	1	2	3	4	
12*	51471	Insulation liner, rear, lower	1	2	3	4	
12*	51472	Insulation liner, rear, top	1	2	3	4	
12*	51474	Insulation liner, top	1	2	3	4	
12*	52093	Insulation liner, top	1	-	-	4	
12*	51475	Insulation, control side, right	1	1	1	-	
12*	52690	Insulation, non-control side, left	-	1	1	-	
12*	51116	Insulation, non-control side, right	-	-	-	1	
12*	52692	Insulation liner, non-control side, left	-	-	-	1	
Recommended Parts: A = Truck Stock; B = Dist. Stock * = Not Shown							

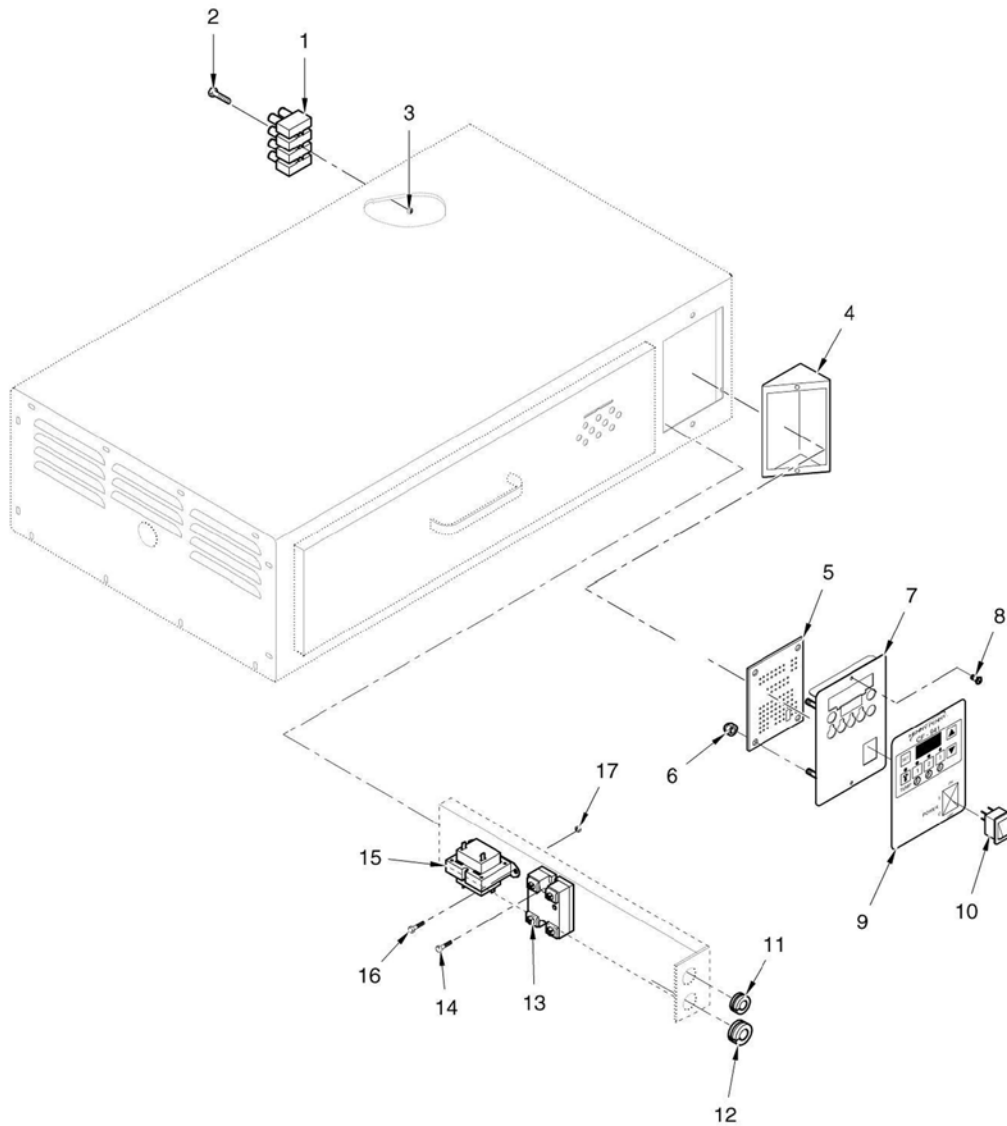
Rear Panel



Item No.	Part No.	Description	Qty. 941	Qty. 942	Qty. 943	Qty. 944	Stocking Level
1	51297	Rear access panel, 941	1	-	-	-	
1	51351	Rear access panel, 942	-	1	-	-	
1	51947	Rear access panel, 943	-	-	1	-	
1	52647	Rear access panel stud assembly	-	-	-	1	
2	40297	Power cord assembly	1	1	1	-	

Item No.	Part No.	Description	Qty. 941	Qty. 942	Qty. 943	Qty. 944	Stocking Level
2	27555	Power cord assembly, 944	-	-	-	1	
2	63837	Power cord assembly, CE	1	2	3	4	
3	MS01-197	Receptacle, NEMAm 5-15 R	1	-	-	-	
4	27639	Strain relief	1	1	1	1	
5	40298	Angled plug, 125 VAC, 15 A	1	1	1	-	
5	27692	Angled plug, 125 VAC, 20 A	-	-	-	1	
6	52676	Middle support bracket, 944	-	-	-	1	
7	27645	Cord wrap knob, 941 (Before 3-6-06)	2	-	-	-	
8	SC01-172	Screw (Before 3-6-06)	4	-	-	-	
Recommended Parts: A = Truck Stock; B = Dist. Stock * = Not Shown							

Electrical Controls

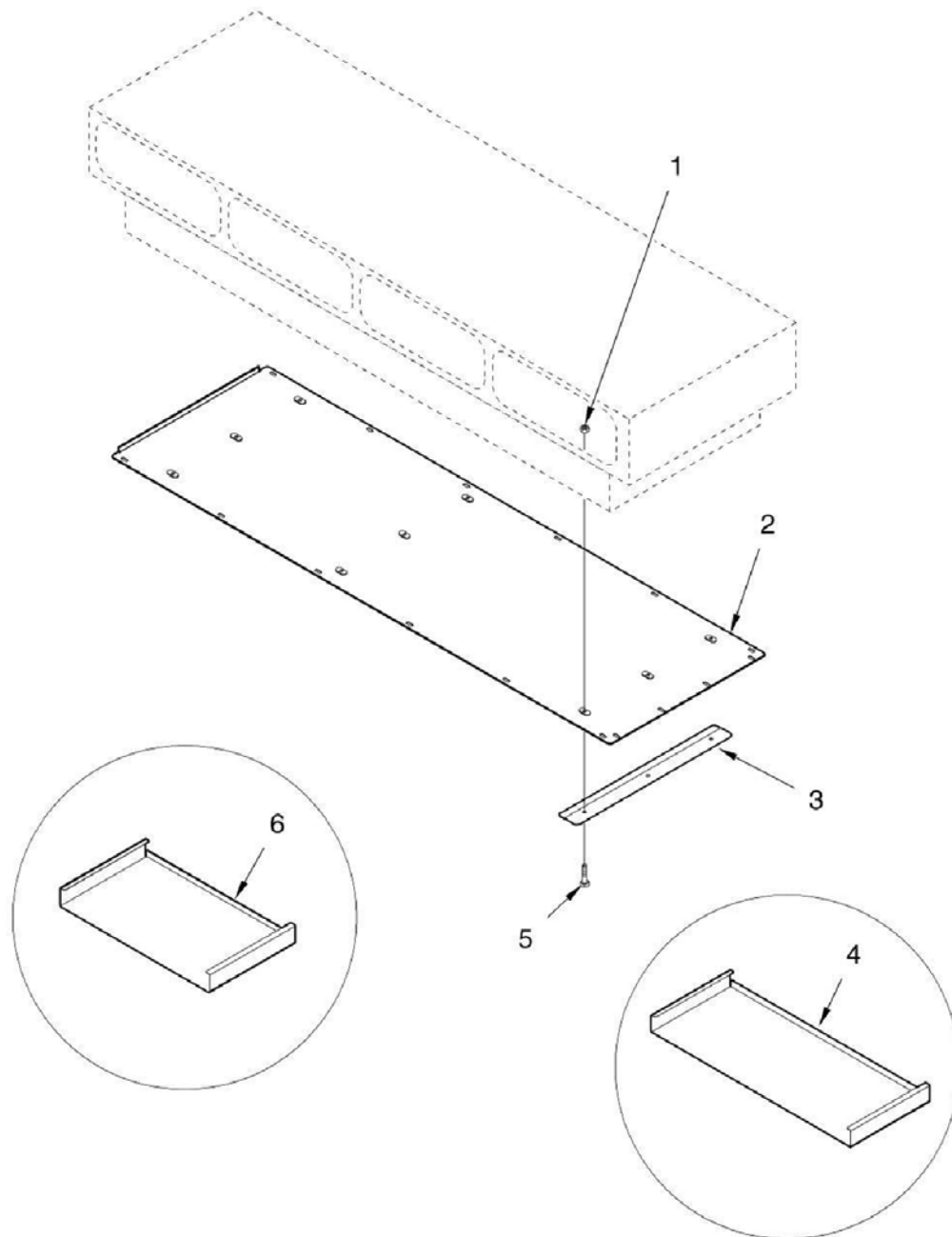


Item No.	Part No.	Description	Qty. 941	Qty. 942	Qty. 943	Qty. 944	Stocking Level
1	33073	Terminal block, 4 pole	1	1	1	1	
2	SC01-053	Screw	3	3	3	3	
3	NS02-007	Nut	3	3	3	3	

Item No.	Part No.	Description	Qty. 941	Qty. 942	Qty. 943	Qty. 944	Stocking Level
4	51925	Control bracket weld assembly	-	-	-	1	
5	52755RB	PC board assembly, GM	1	1	1	1	A
5	51102RB	PC board assembly, Wendy's	1	1	1	1	A
6	NS02-005	Nut	4	4	4	4	
7	51924	Control panel stud assembly	-	-	-	1	
7	51545	Control panel stud assembly	1	2	3	-	
8	SC04-003	Screw	2	2	2	2	
9	51463	Control decal, 941, Wendy's	1	-	-	-	
9	52695	Control decal, 941, GM	1	-	-	-	
9	52699	Control decal, 941, Dairy Queen	1	-	-	-	
9	51560	Control decal, 942, Wendy's	-	1	-	-	
9	52696	Control decal, 942, GM	-	1	-	-	
9	51561	Control decal, 943, Wendy's	-	-	1	-	
9	52697	Control decal, 943, GM	-	-	1	-	
9	51464	Control decal, 944, Wendy's	-	-	-	1	

Item No.	Part No.	Description	Qty. 941	Qty. 942	Qty. 943	Qty. 944	Stocking Level
9	52698	Control decal, 944, GM	-	-	-	1	
10	72277	Power switch, DPST splash proof	1	1	1	1	A
10	52224	Power switch, CE	1	1	1	1	A
11	EF02-072	Split bushing	1	1	1	1	
12	EF02-040	Snap bushing	1	1	1	1	
13	40645	Relay	1	2	3	4	A
14	SC04-003	Screw	2	2	2	2	
15	28979	Transformer, 208/240 VAC	1	1	1	1	A
15	30978	Transformer, 120 VAC	1	1	1	1	A
16	SC01-034	Screw	2	2	2	2	
17	NS02-007	Nut	2	2	2	2	
18*	51390	EMC filter, CE	1	1	1	1	A
18*	FA53-005	Fuse, CE	1	1	1	1	A
19*	EF02-114	Fuse holder	1	1	1	1	A
Recommended Parts: A = Truck Stock; B = Dist. Stock * = Not Shown							

Paper Tray



Item No.	Part No.	Description	Qty. 941	Qty. 942	Qty. 943	Qty. 944	Stocking Level
1	NS02-007	Nut	-	-	-	12	

Item No.	Part No.	Description	Qty. 941	Qty. 942	Qty. 943	Qty. 944	Stocking Level
2	52854	Bottom access panel	-	-	-	1	
3	52845	Paper tray bracket	-	-	-	4	
4	05940	3 paper tray, Wendy's	-	-	-	2	
5	SC01-153	Screw	-	-	-	12	
6	05941	2 paper tray, Wendy's	-	-	-	2	
Recommended Parts: A = Truck Stock; B = Dist. Stock * = Not Shown							

www.hennypenny.com

FM08-728A 14 September, 2020



Copyright belongs to Henny Penny Corporation 2020. All rights reserved.

Henny Penny Corporation
1219 U.S. 35, Eaton, OH 45320
1-937-456-8400
1-800-417-8417