

# 8 Head Electric Open Fryers



Parts Manual

OFE 291





## Table of Contents

---

<b>Behind Control Panel Assembly .....</b>	<b>4</b>
<b>Computron 8000 Assembly .....</b>	<b>6</b>
<b>Element Assembly .....</b>	<b>8</b>
<b>Filter Pump Assembly .....</b>	<b>10</b>
(SN: BE0401001 & Below) .....	10
(SN: BE0401001 & Above) .....	13
<b>Drain Pan and Filter Assembly .....</b>	<b>16</b>
<b>Drain Valve and Drain Switch Assembly .....</b>	<b>19</b>
<b>Carrier, Racks, and Junction Box Assembly .....</b>	<b>21</b>
<b>Counterweight Assembly .....</b>	<b>23</b>
<b>Lid Assembly .....</b>	<b>25</b>
<b>Frame and Cover Assembly .....</b>	<b>27</b>
<b>Optional Rinse Hose Attachments .....</b>	<b>29</b>
Below SN: BE0401001 .....	29
SN: BE0401001 and Above .....	31
<b>Optional Direct Connect Kit .....</b>	<b>33</b>
SN: BE0401001 and Above only .....	33

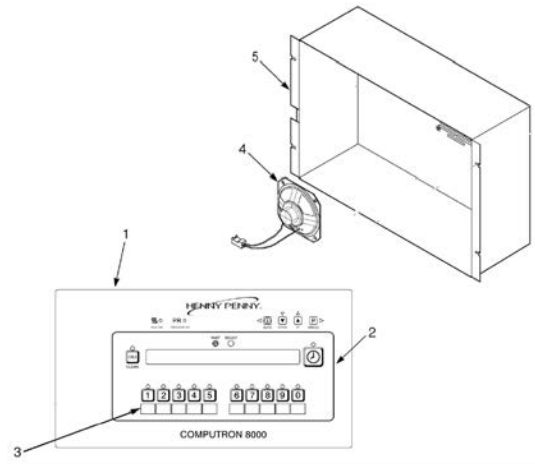
### Behind Control Panel Assembly



Item No.	Part No.	Description	Qty.	Stocking Level
1	29942	Mercury contactor, 208/240 VAC	1	A
1*	65075	Heat contactor assembly, 240VAC E/M, 240VAC, CE, UK	1	A
1*	65074	Heat contactor assembly, 240VAC E/M, 230VAC, CE	1	A
2	30971	Resistor capacitor assembly	1	A
3	19405	Contactor kit, 208/240 VAC	1	A
4	17216	High limit bracket assembly	1	
5	16738	High limit 450° F	1	A

Item No.	Part No.	Description	Qty.	Stocking Level
5	60241	High limit 425° F, CE	1	A
6	EF02-125	Push button reset breaker, 15 AMP	2	A
6	18364	Fuse holder assembly, 15 AMP (SN: BE0608003 & above)	2	A
6	EF02-006	Fuse holder (SN: BE0608002 & below)	2	A
6	EF02-007	Fuse, 15 AMP	2	A
6	EF02-104	Fuse holder. 20A-250VAC	1	A
6	EF02-105	Fuse, 15 AMP, CE	1	A
7	14335	Probe kit	1	A
8*	72854	Transformer assembly, 24VAC, C8000	1	A
<b>Recommended Parts: A = Truck Stock; B = Dist. Stock</b> <b>* = Not Shown</b>				

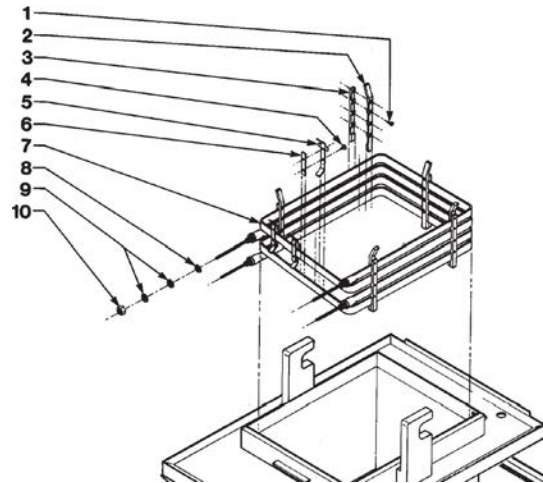
## Computron 8000 Assembly



Item No.	Part No.	Description	Qty.	Stocking Level
1	164947	C8000 control assembly	1	B
1	164956	C8000 ARM control (PFE591 Jollibee only)	1	B
2	65236	- Control decal	1	
3	32634	- Menu card, blank	1	
3	65922	- Menu card (GM)	1	
3	171516	- Menu card PFE591 (Jollibee)	1	
4	26974	Speaker assembly	1	B
5	65661	Control cover stud assembly	1	
6	65893	I/O board assembly	1	
7*	14688	Conversion kit, 290 to 291	1	

Item No.	Part No.	Description	Qty.	Stocking Level
7*	14692	Conversion kit, 292 to 291	1	
<b>Recommended Parts: A = Truck Stock; B = Dist. Stock</b> <b>* = Not Shown</b>				

## Element Assembly



Item No.	Part No.	Description	Qty.	Stocking Level
1	SC01-083	Screw, #10-32 x 1/2, <b>CT<sup>1</sup></b> , FHD	A/R	
2	35101	Long element support	5	
3	35100	Short element support	5	
4	SC01-074	Screw, #10-32 x 1/2, <b>CT<sup>1</sup></b> , THD, S	A/R	
5	35435	High limit probe bracket	3	
6	35462	High limit probe bracket	3	
7	35234	Heating element assembly, 8.5 KW 208 VAC	2	B
7	35598	Heating element, 8.5 KW 240 VAC	2	B
7	48367	Heating element, 230 VAC (Int'l Only)	2	B

<sup>1</sup>Crosstip screwdriver required

<sup>1</sup>Crosstip screwdriver required

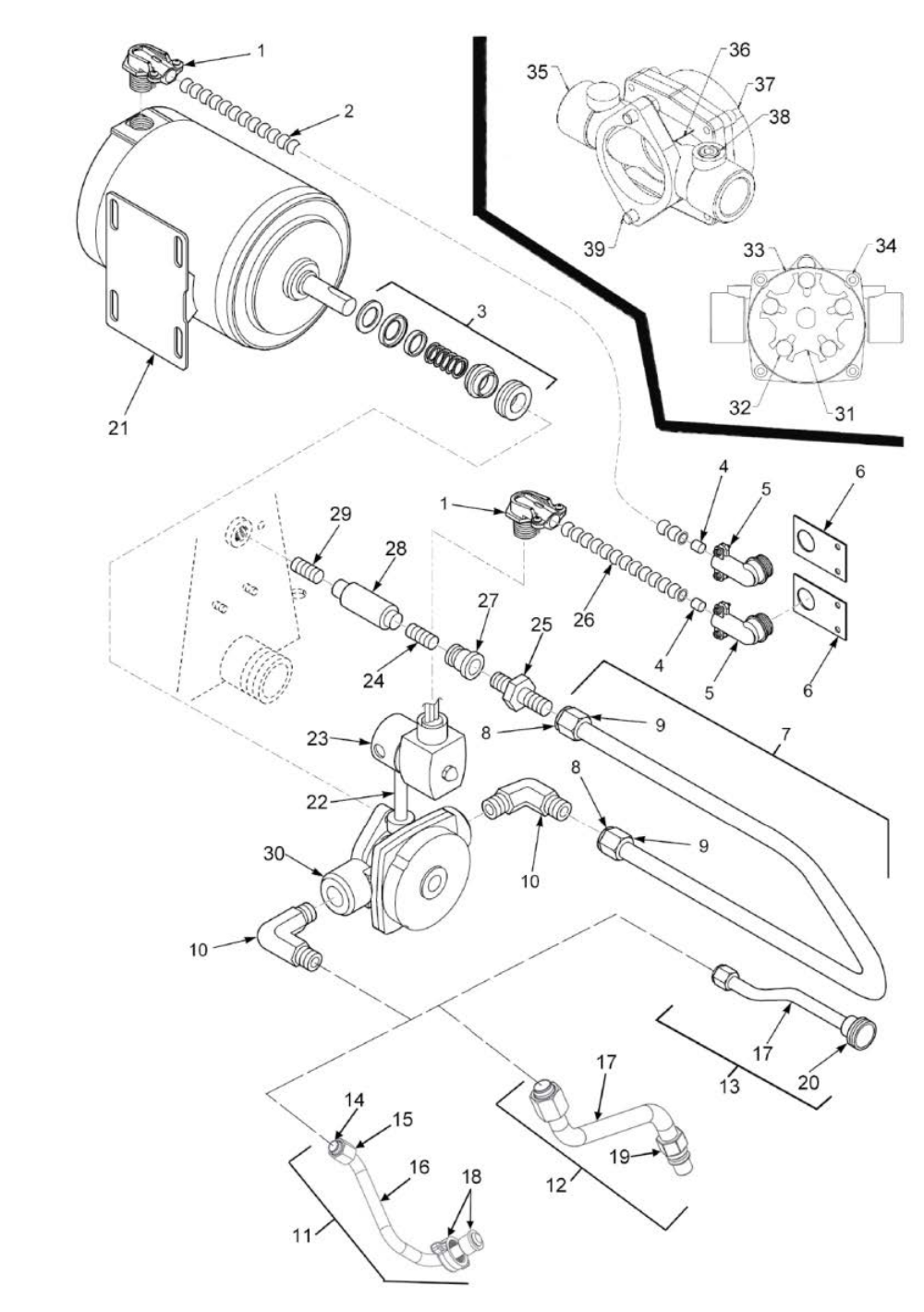


Item No.	Part No.	Description	Qty.	Stocking Level
7	36290	Heating element, 220 VAC (Int'l Only)	2	B
8	16855	O-ring seal	4	
9	WA01-005	Washer, 5/8 diameter, type A, series N	8	
10	NS01-017	Hex nut, 5/8-18 B	4	

**Recommended Parts: A = Truck Stock; B = Dist. Stock  
A/R = As Required**

# Filter Pump Assembly

(SN: BE0401001 & Below)

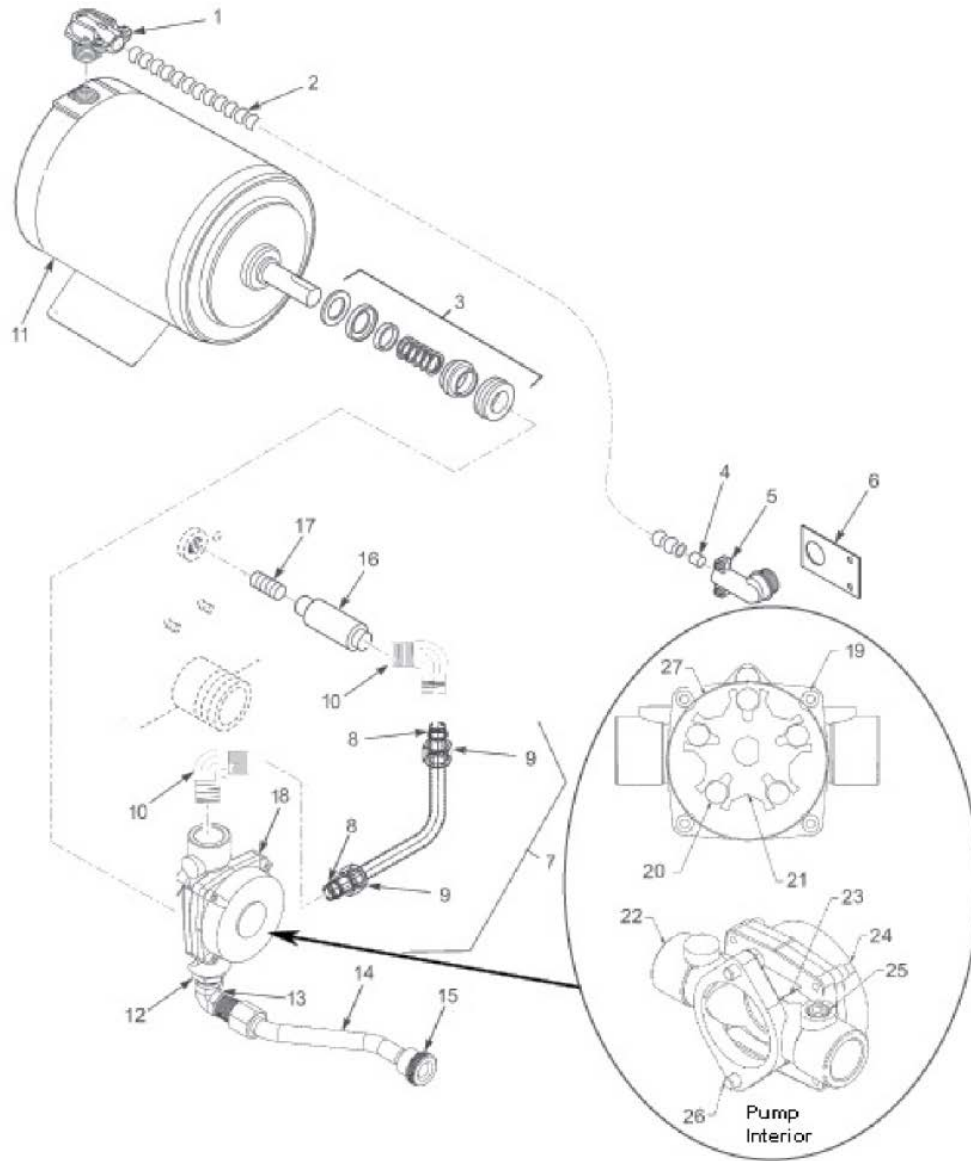


Item No.	Part No.	Description	Qty.	Stocking Level
1	18107	Conduit connector, 3/8 X 90	1	
2	54484	Flexible conduit blower pump	1	
3	17476	Pump seal kit	1	A
4	18105	Anti short, 3/8 inch	2	
5	18644	Conduit connector, 3/8 X 90	1	
6	51831	Pump conduit bracket	1	
7	55836	Oil return line assembly	1	
8	16808	Fitting sleeve	2	
9	16809	Fitting nut	2	
10	17407	Elbow connector, 1/2, male	2	
11	67583	Filter pump motor	1	A
12	62206	Pump to disconnect tube assembly	1	
13	17430(use 69289)	Fitting union, male	1	A
14	16807	Fitting connector, male	1	
15	FP01-122	Reducer, 3/8 to 1/2	1	
16	FP02-024	Close nipple, 3/8	1	
17	35472	Pressure check valve	1	
18	FP02-007	Nipple, 3/8 X 1-1/2	1	

Item No.	Part No.	Description	Qty.	Stocking Level
19	17437	8 <b>GPM</b> <sup>1</sup> pump subassembly	1	
20	17454	Pump body	1	A
21	17456	Pump shield	2	A
22	17451	Pump cover	1	A
23	SC01-016	Countersunk hex plug, 1/4	1	A
24	SC01-026	Hex screw, 5/16-18 X 3/4, HD C	2	A
25	SC01-132	Cap screw, 1/4-20 X 5/8, SOC, HD	4	A
26	17447	Pump rotor	1	A
27	17446	Teflon roller set	1	A
28	17453	Pump gasket o-ring	1	A
29*	67589	Filter pump and 1/2 HP motor assembly	1	
<b>Recommended Parts: A = Truck Stock; B = Dist. Stock</b> <b>* = Not Shown</b>				

<sup>1</sup>Gallon per minute

(SN: BE0401001 & Above)



Item No.	Part No.	Description	Qty.	Stocking Level
1	18107	Conduit connector, 3/8 X 90	1	
2	54484	Flexible conduit blower pump	1	
3	17476	Pump seal kit	1	A

Item No.	Part No.	Description	Qty.	Stocking Level
4	18105	Anti short, 3/8 inch	2	
5	18644	Conduit connector, 3/8 X 90	1	
6	51831	Pump conduit bracket	1	
7	66618	Oil return line assembly	1	
8	16808	Fitting sleeve	2	
9	16809	Fitting nut	2	
10	FP01-169	Connection tube, 90 male, 3/4 <b>NPT<sup>1</sup></b>	2	
11	67583	Filter pump motor	1	A
12	FP01-089	Reducing bushing, 3/4 male tp 1/2 female	1	
13	17407	Elbow connector, 1/2, male	1	
14	62206	Pump to disconnect tube assembly	1	
15	17430(use 69289)	Fitting union, male	1	
16	21800	Check valve, 3/4	1	
17	FP02-021	Nipple, 3/4 <b>NPT<sup>1</sup></b> X 3 inch Large BL	1	
18	64218	<b>8 GPM<sup>1</sup></b> pump subassembly	1	A
19	SC01-132	Cap screw, 1/4-20 X 5/8, SOC, HD	4	A

<sup>1</sup>National Pipe Tapered

<sup>1</sup>National Pipe Tapered

<sup>1</sup>Gallon per minute

Item No.	Part No.	Description	Qty.	Stocking Level
20	23469	7 <b>GPM</b> <sup>1</sup> pump roller	5	A
21	23468	7 <b>GPM</b> <sup>1</sup> pump rotor	1	A
22	23647	7 <b>GPM</b> <sup>1</sup> pump body	1	A
23	17456	Pump shield	2	A
24	23470	7 <b>GPM</b> <sup>1</sup> pump cap	1	A
25	FP01-020	Hex seal level plug, 1/4-18	1	A
26	SC01-026	Hex screw, 5/16-18 X 3/4, HD C	2	A
27	17453	Pump gasket o-ring	1	A
28*	69356	3/4 inch pump and motor assembly	1	
<b>Recommended Parts: A = Truck Stock; B = Dist. Stock</b>				

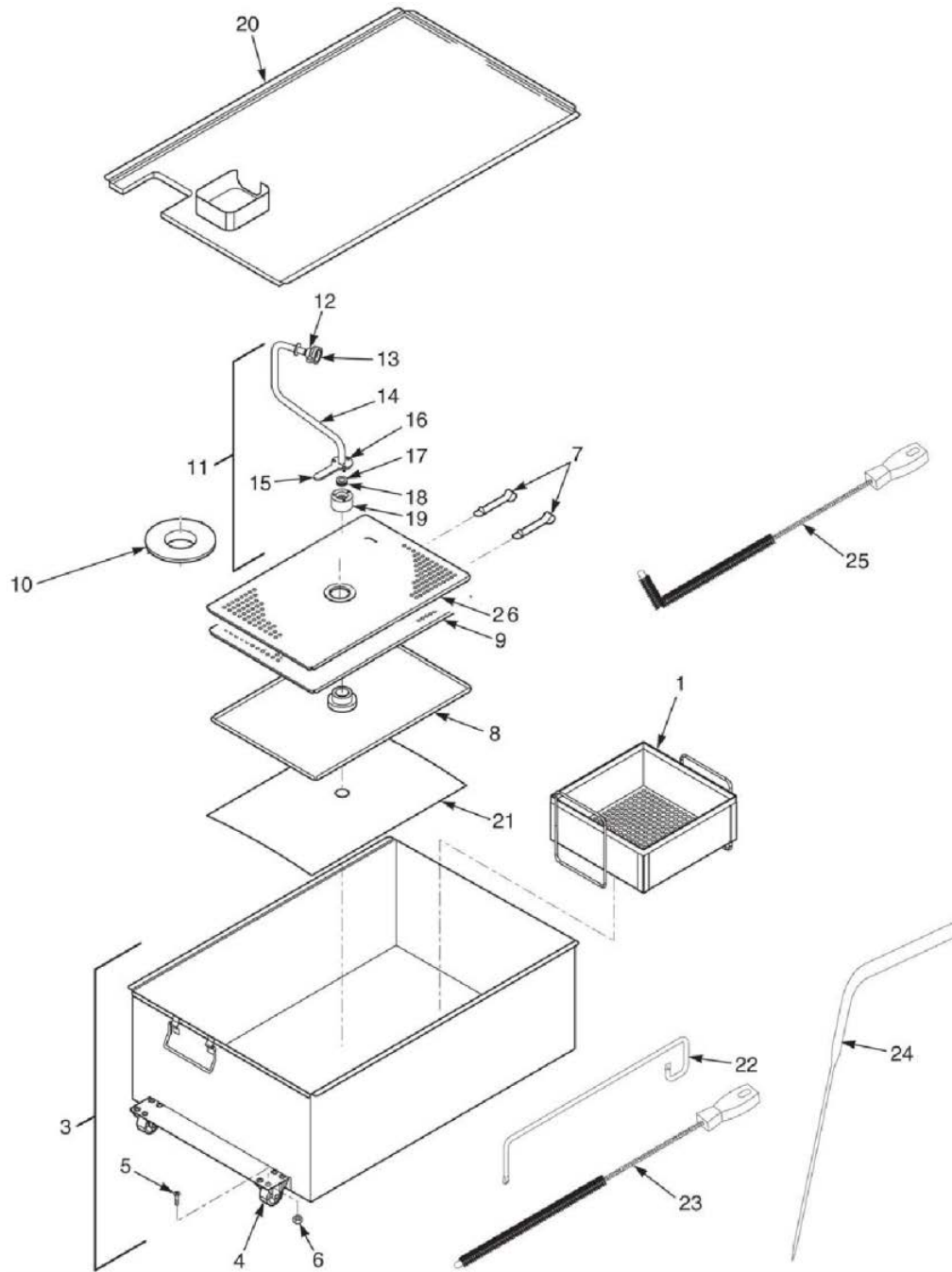
<sup>1</sup>Gallon per minute

<sup>1</sup>Gallon per minute

<sup>1</sup>Gallon per minute

<sup>1</sup>Gallon per minute

# Drain Pan and Filter Assembly





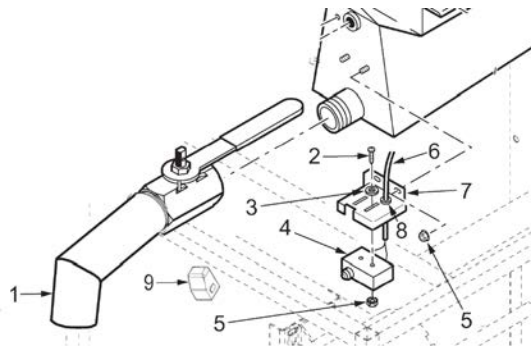
Item No.	Part No.	Description	Qty.	Stocking Level
1	52194	Crumb catcher, optional	1	
2	03204	Crumb catcher basket with handle, optional	1	
2	-21010	-Crumb catcher basket assembly	1	
2	-21471	-"Cold zone" crumb catcher basket assembly	1	
2	24429	Crumb basket handle	1	
3	52496	Filter drain pan assembly	1	
4	-52487	-Caster	2	
5	-SC01-009	-Screw, 1/4-20 X 1/2	8	
6	-NS02-002	-Nut, 1/4-20	8	
7	17505	Filter clips	2	
8	17503 (use 14674)	Bottom filter screen (SN:BE0503009 and below)	1	
8	65447	Bottom filter screen (SN: BE0503010 and above)	1	
9	17502 (use 14674)	Top filter screen (SN:BE0503009 and below)	1	
10	36305	Washer and standpipe	1	
11	24212	Standpipe assembly (SN:BE0503009 and below)	1	
11	14658	Pick-up tube kit (SN BE0503010 and above)	1	
12	69289	Fitting union, male	1	A

Item No.	Part No.	Description	Qty.	Stocking Level
13	-69289	-Fitting union, handle	1	A
14	-24211	-Filter tube and washer weldment	1	
15	-23740	-Standpipe handle	1	
16	-SC01-245	-Screw, 10-32 X 1/2	3	
17	-23804	-Filter nut insert	1	
18	-OR01-007	-Filter nut insert o-ring	1	
19	-23803	-Filter nut (SN:BE0503009 and below)	1	
19	-66535	-Filter nut, <b>SS<sup>1</sup></b> (SN BE0503010 and above)	1	
20	62082	Filter drain pan cover assembly	1	
21	12102	Filter envelope paper (100 per carton)	1	B
22	65776	Long clean out rod	1	B
23	52208	Brush	1	B
24	35310	Stirrer	1	
25	12126	Black L-brush	1	B
26	65211	Crumb catcher, <b>SS<sup>1</sup></b>	1	
27*	35771	Clean out brush, 35 inch (89 cm)	1	
<b>Recommended Parts: A = Truck Stock; B = Dist. Stock</b>				

<sup>1</sup>Stainless steel

<sup>1</sup>Stainless steel

## Drain Valve and Drain Switch Assembly

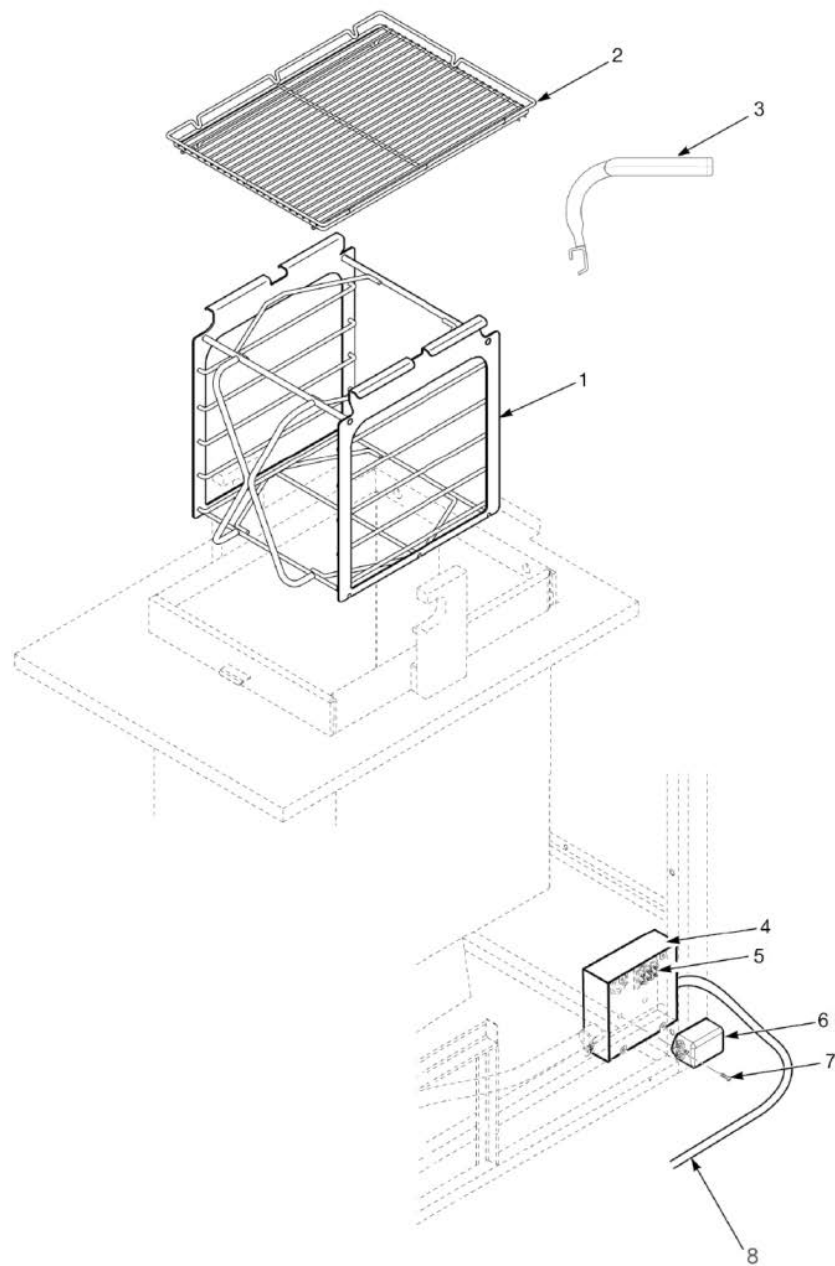


Item No.	Part No.	Description	Qty.	Stocking Level
1	65520	Drain valve assembly (SN: LG012JC and below)	1	
1	66553	Drain valve assembly (SN: LG013JC and above)	1	
2	SC01-058	Pan screw, #6-32 X 1, <b>CT<sup>1</sup></b> , HD	2	
3	WA01-006	Washer, #6, type A	2	
4	54228	Drain switch with boot	1	A
5	NS02-005	Hex nut, #6-32	2	
6	52519	Drain interlock cord assembly	1	
7	65522	Switch bracket (before Dec. 29, 2003)	1	
7	67220	Switch bracket (after Dec. 29, 2003)	1	
8	EF02-017	Strain relief	2	
9	67617	Microswitch triggering bracket	1	

<sup>1</sup>Crosstip screwdriver required

Item No.	Part No.	Description	Qty.	Stocking Level
10*	76579	Switch cover plate, D/I	1	
Recommended Parts: A = Truck Stock; B = Dist. Stock * = Not Shown				

### Carrier, Racks, and Junction Box Assembly



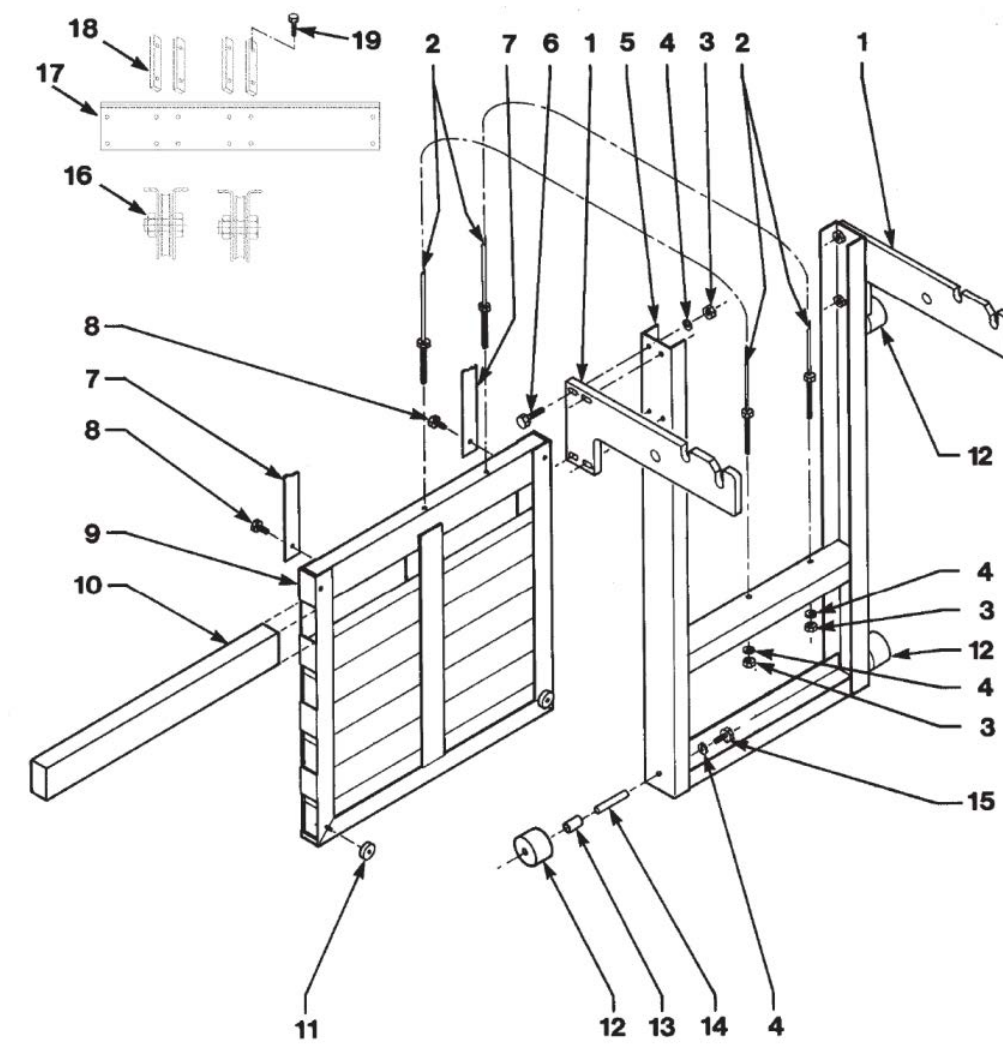
Item No.	Part No.	Description	Qty.	Stocking Level
1	67591	Carrier assembly	1	

Item No.	Part No.	Description	Qty.	Stocking Level
2	44782	Half size rack	5	
3	35308	Rack handle weldment	1	
4	62126	Junction box assembly	1	
4	62127	Junction box assembly, CE	1	
4	-65427	-5-pole terminal block assembly, CE	1	
5	-62106	-Machined junction box	1	
6	51057	EMC filter assembly, CE	1	A
7	SC01-023	Screw, #6-32 X 1/4, CT <sup>1</sup> , RHD <sup>1</sup> C	8	
8	65180	Main power cord assembly	1	
8	65181	Power cord	1	
9*	58146*	Plug, 90, 60A, 3PH, 250VAC, #15-60P	1	
10*	37560*	Receptacle, #15-60R	1	
11*	21519*	Wire rack cover, optional	4	
12*	19923	Large transformer, 480VAC	1	
<b>Recommended Parts: A = Truck Stock; B = Dist. Stock</b> <b>* = Not Shown</b>				

<sup>1</sup>Crosstip screwdriver required

<sup>1</sup>Head raised above surface

### Counterweight Assembly

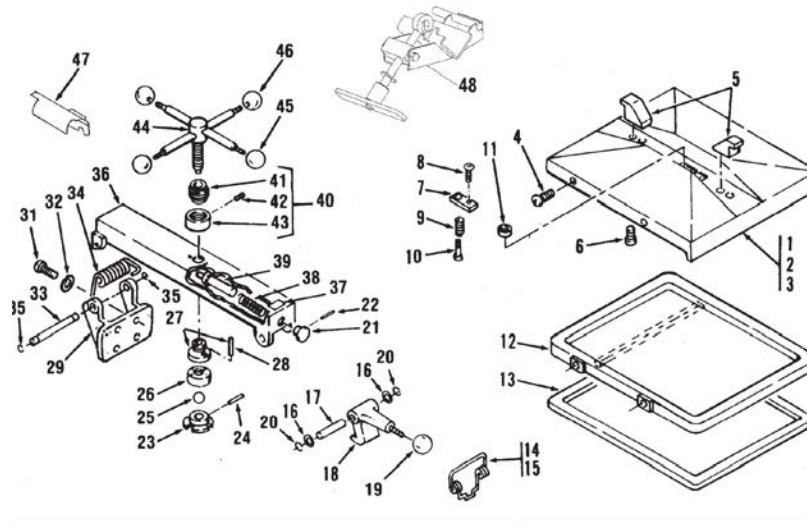


Item No.	Part No.	Description	Qty.	Stocking Level
1	35026	Lid support arm	2	
2	140225	Cable kit (2 cables)	1	A
3	NS01-025	Hex nut, 5/16-18, Stainless steel	10	
4	LW01-010	Split ring washer, 3/8, Stainless steel	10	

Item No.	Part No.	Description	Qty.	Stocking Level
5	35092	Carriage	1	
6	SC01-069	Hex screw, 3/8-16 X 1-1/2, S2P	8	
7	36839	Slide	2	
8	SC01-042	Hex screw, 3/8-16 X 1	2	
9	36625	Counterweight carriage weld assembly	1	
10	36627	Counterweight bar	4	
11	36626	Counterweight frame spacer	2	
12	37362	Carriage wheel	4	
13	37363	Carriage wheel spacer	4	
14	37364	Spindle	4	
15	SC01-081	Hex screw, 3/8-24 X 3/4, Stainless steel	4	
<b>Recommended Parts: A = Truck Stock; B = Dist. Stock</b> <b>* = Not Shown</b>				



# Lid Assembly



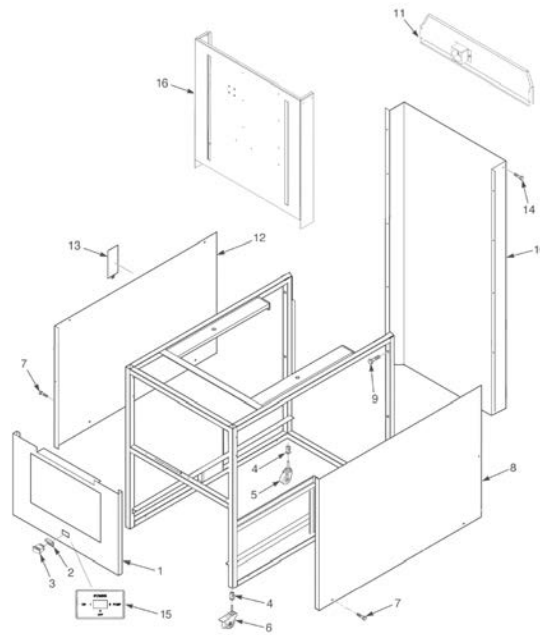
Item No.	Part No.	Description	Qty.	Stocking Level
	65818	Complete lid assembly	1	
1	RR01-004	Retaining ring, 1/2 in.	1	
2	WA01-020	Washer - .513 ID-.750 OD-.05 THK	1	
3	51531	Cast lid stop	1	
4	SC01-041	Hex screw - 5/16"-18 x 1 HD C	2	
5	55754	Handle weld assembly	1	
6	55756	Sleeve latch assembly, coated	1	
7	59169	Lid latch bracket	1	
7	-52498	-Lid latch spring	1	
7	-51707	-Lid latch bracket	1	

Item No.	Part No.	Description	Qty.	Stocking Level
8	SC01-248	Screw, 10-32 x 1.25, <b>CT<sup>1</sup></b> , THD, <b>SS<sup>1</sup></b>	2	
Recommended Parts: A = Truck Stock; B = Dist. Stock * = Not Shown				

<sup>1</sup>Crosstip screwdriver required

<sup>1</sup>Stainless steel

## Frame and Cover Assembly



Item No.	Part No.	Description	Qty.	Stocking Level
1	39796	Control panel front weldment	1	
2	53669	Power switch guard	1	
3	29898	Power switch	1	A
3*	176400	- Power switch cover (CE)	1	A
4	54225	Machine leg insert, 1 inch	4	
5	53673	Swivel caster, 4 inch	2	
6	37246	Swivel caster with brake, locking	2	
7	SC03-005	Screw, #8 x 1/2 inch, PH, PHD	4	
8	66934	Right side panel	1	

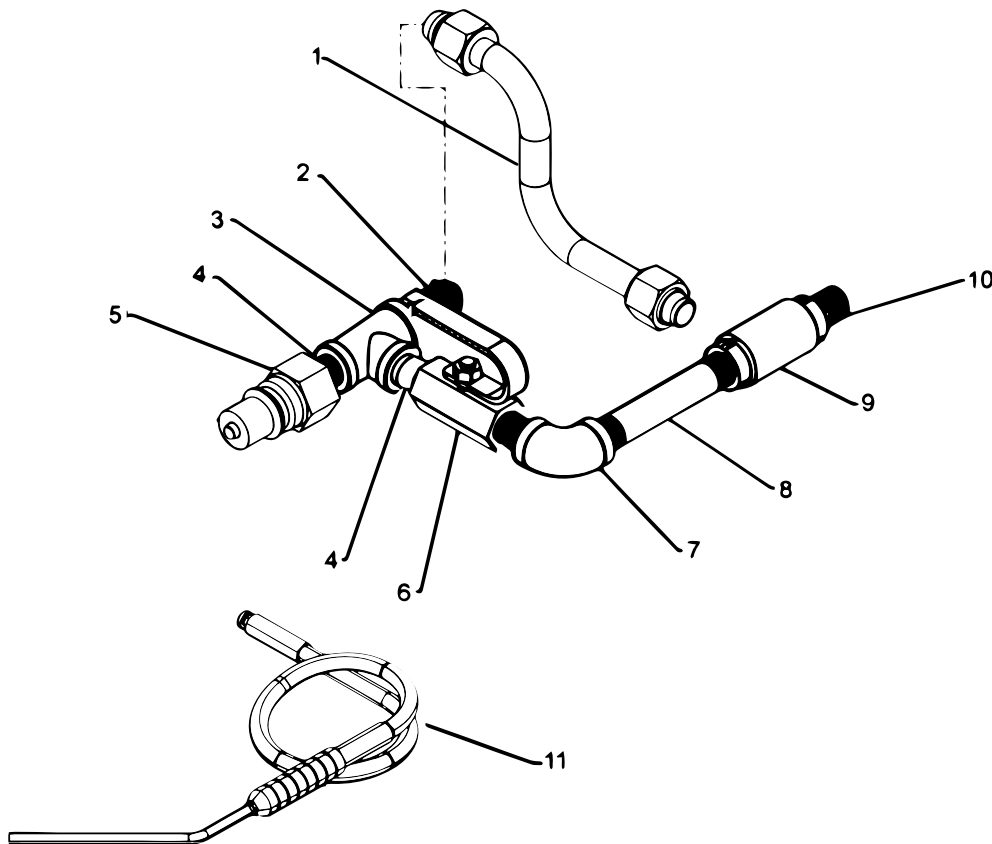
Item No.	Part No.	Description	Qty.	Stocking Level
9	SC01-215	Hex screw, 5/16-18 x 2.5 inch, HD	4	
10	37291	Rear shroud access assembly	1	
11	35726	Rear shroud top cover	1	
12	66933	Left side panel	1	
12	14457	Sound deadening kit	1	
13	36337	Access door	1	
14	SC02-023	Screw, #8-B x 3/8 inch, CT <sup>1</sup> , THD, SS <sup>1</sup>	5	
15	75696	Power/pump label, English	1	
16	14457	Sound Deadening (pump noise) kit	1	
<b>Recommended Parts: A = Truck Stock; B = Dist. Stock</b>				

<sup>1</sup>Crosstip screwdriver required

<sup>1</sup>Stainless steel

## Optional Rinse Hose Attachments

Below SN: BE0401001



Item No.	Part No.	Description	Qty.	Stocking Level
1	66677	Rinse hose tube assembly	1	
2	16807	Connector fitting, male	1	
3	17306	Pipe tee fitting	1	

Item No.	Part No.	Description	Qty.	Stocking Level
4	FP02-024	Close nipple, 3/8 <b>NPT<sup>1</sup></b> , B.I.	3	
5	FP01-133	Elbow, 3/8 <b>NPT<sup>1</sup></b> X 45, female	1	
6	17334	Rinse hose disconnect, male	1	
7	FP02-042	Large nipple, 3/8 <b>NPT<sup>1</sup></b> X 2, B.I.	1	
8	59185	Filter valve, small C handle	1	
9	FP02-043	Nipple, 3/8 <b>NPT<sup>1</sup></b> X 2.5, B.I.	1	
10	17319	Pipe elbow, 3/8	1	
11	FP01-116	Large nipple, 3/8 <b>NPT<sup>1</sup></b> X 4, B.I.	1	
12	35472	Check valve, pressure	1	
13	03003	Detachable hose assembly	1	
<b>Recommended Parts: A = Truck Stock; B = Dist. Stock</b> <b>* = Not Shown</b>				

<sup>1</sup>National Pipe Tapered

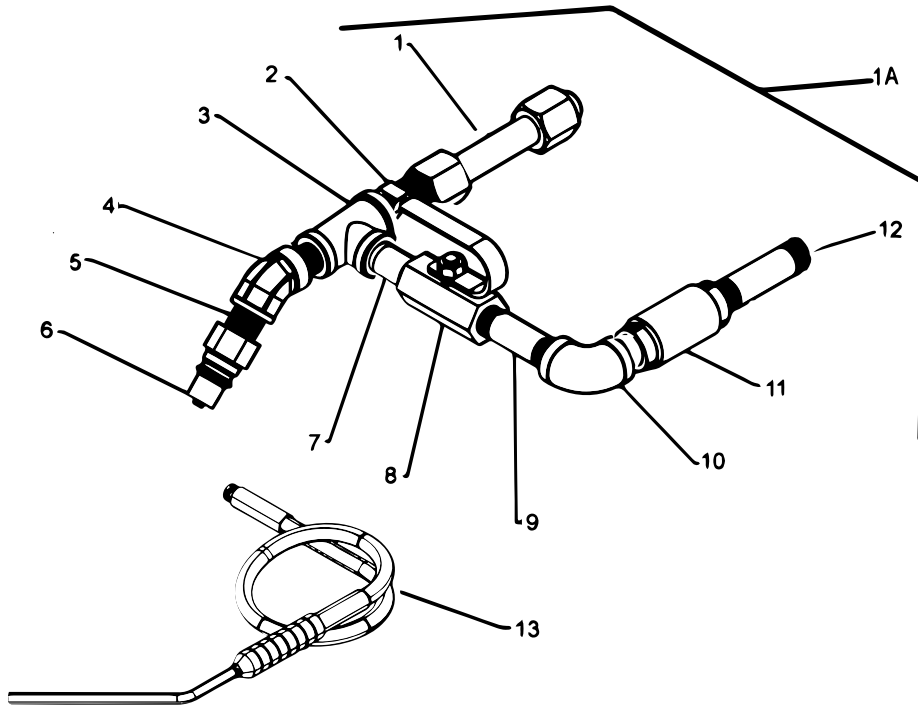
<sup>1</sup>National Pipe Tapered

<sup>1</sup>National Pipe Tapered

<sup>1</sup>National Pipe Tapered

<sup>1</sup>National Pipe Tapered

**SN: BE0401001 and Above**



Item No.	Part No.	Description	Qty.	Stocking Level
1	66450	Pump to valve tube assembly	1	
2	FP01-170	Connector tube, 90 male, 3/4 NPT <sup>1</sup>	1	
3	FP01-171	Tee, 3/8 X 3/4 X 3/4 B. I.	1	

<sup>1</sup>National Pipe Tapered

Item No.	Part No.	Description	Qty.	Stocking Level
4	FP01-172	Street elbow, 45, 3/8 <b>NPT<sup>1</sup></b> , B.I.	3	
5	FP02-024	Close nipple, 3/8 <b>NPT<sup>1</sup></b>	1	
6	17334	Rinse hose disconnect, male	1	
7	FP02-044	Large nipple, 3/4 <b>NPT<sup>1</sup></b> X 2, B.I.	1	
8	23430	Inlet valve, 3/4, E34X	1	
9	16282	Close nipple, 3/4	1	
10	FP01-100	Street elbow, 3/4 <b>NPT<sup>1</sup></b> B. I.	1	
11	21800	Check valve, 3/4	1	
12	FP02-021	Large nipple, 3/4 <b>NPT<sup>1</sup></b> X 3 inch B.I.	1	
13	03003	Detachable hose assembly	1	
<b>Recommended Parts: A = Truck Stock; B = Dist. Stock</b> <b>* = Not Shown</b>				

<sup>1</sup>National Pipe Tapered

<sup>1</sup>National Pipe Tapered

<sup>1</sup>National Pipe Tapered

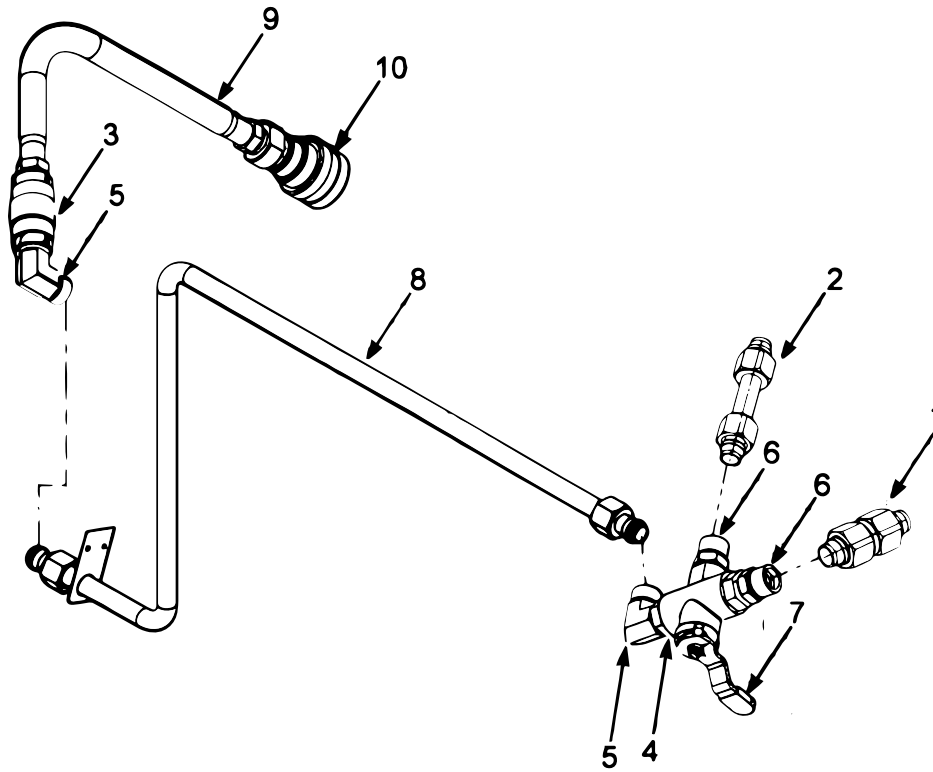
<sup>1</sup>National Pipe Tapered

<sup>1</sup>National Pipe Tapered



### Optional Direct Connect Kit

SN: BE0401001 and Above only



Item No.	Part No.	Description	Qty.	Stocking Level
	14638	Optional direct connect kit	1	
1	67695	DC pot to diverter tube assembly	1	
2	66450	DC diverter to pot tube assembly	1	
3	21800	Check valve, 3/4	1	





Scan for Technical Support  
FM06-121 A 30 October, 2020



Copyright belongs to Henny Penny Corporation 2020. All rights reserved.

Henny Penny Corporation  
1219 U.S. 35, Eaton, OH 45320  
1-937-456-8400  
1-800-417-8417  
[www.hennypenny.com](http://www.hennypenny.com)